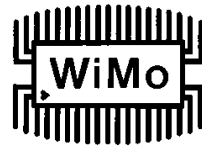


YA-2400 Yagi Antenne

Best.Nr. 18690.12

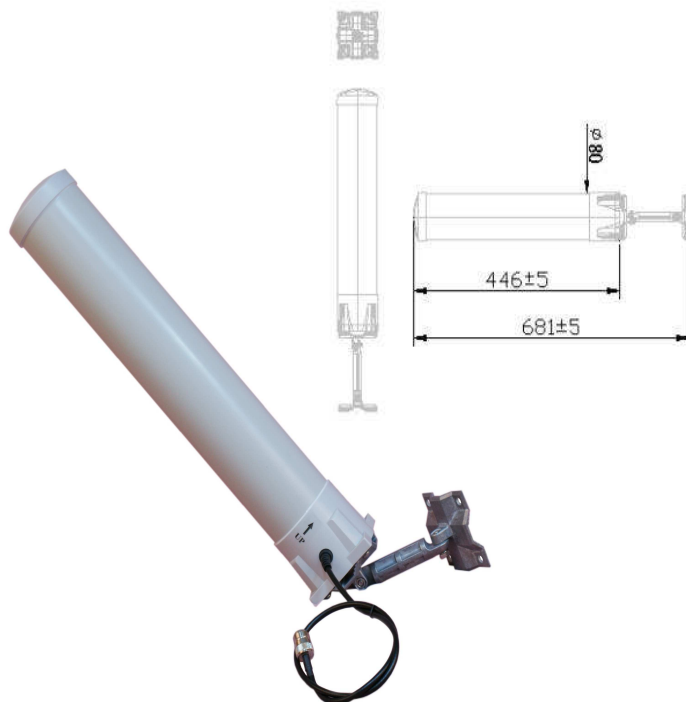


Professionelle Yagi-Richtantennen mit Schwenk/Neigehalterung für Wand- oder Mastmontage. Vollständig gekapselt, dadurch unempfindlich gegen Wettereinflüsse.

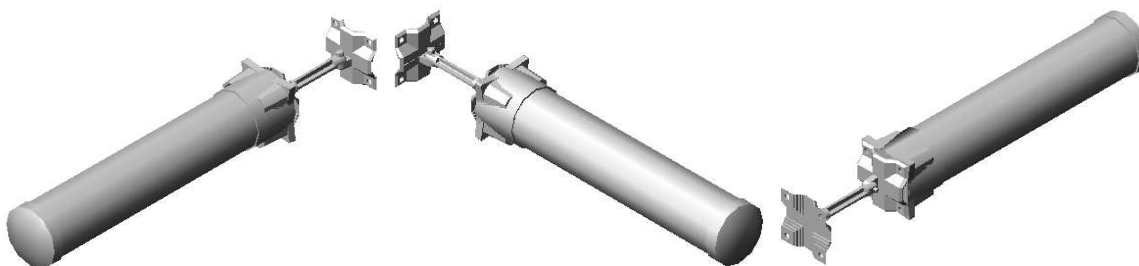
Professional Yagi directional antennas, inkl. swivel/tilt mount, suitable for wall or mast mounting. Completely enclosed, makes these antennas insensible against weather.

Specifications

Frequency Range	2.4 ~ 2.4835GHz
VSWR	≤ 2.0
Impedance	50Ω ± 5Ω
Gain	12dBi
Polarization	Vertical
Power Handling	10 Watt
Beam Width	H: 36.6° / E: 35.1°
Connector	N Female
Operation Temp.	-30° ~ +60°
Material	Radome: ABS / Mount: Zinc Alloy
Dimension (L*W*H)	446*80Ø mm
Weight	850g ± 20g
Color	COLOR GRAY 5C
part no.	18690.12



3D views

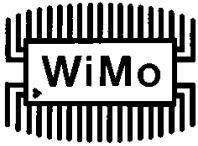


WiMo Antennen und Elektronik GmbH

Am Gäxwald 14, D-76863 Herxheim Tel. (07276) 96680 FAX 9668-11

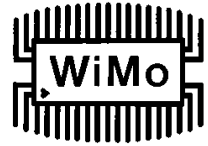
<http://www.wimo.com>

e-mail: info@wimo.com

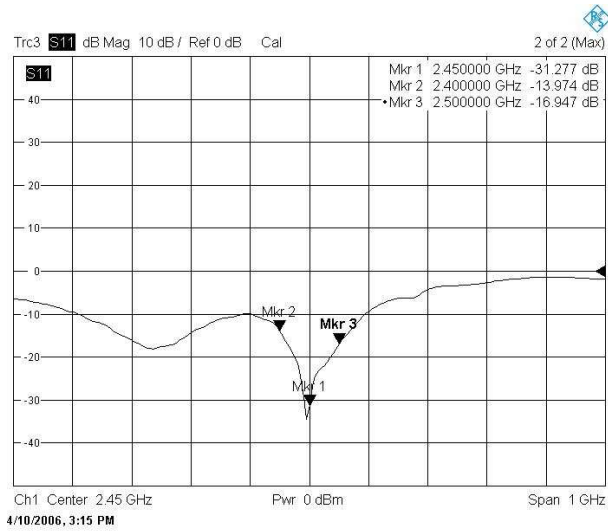


YA-2400 Yagi Antenne

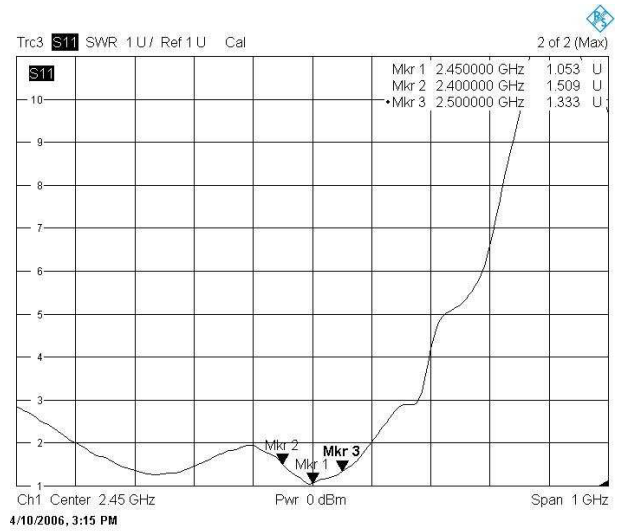
Best.Nr. 18690.12



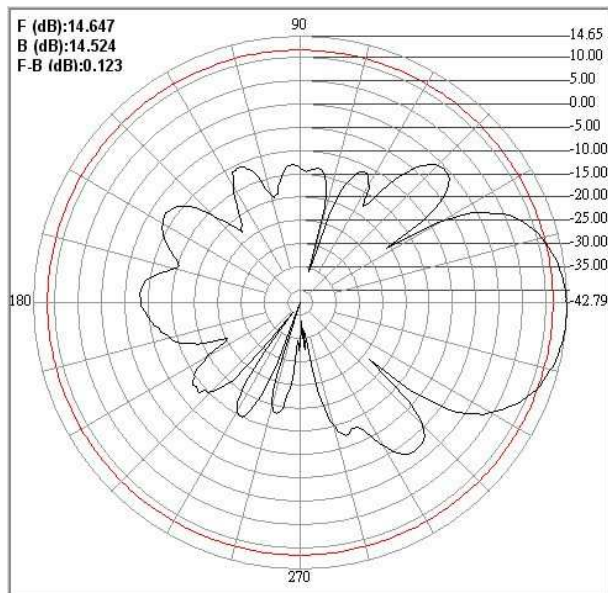
Return Loss



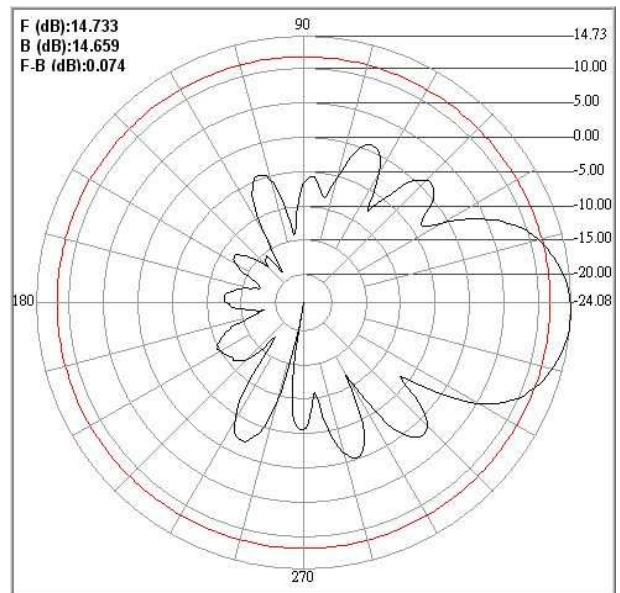
SWR



Pattern E-Plane



Pattern H-Plane



WiMo Antennen und Elektronik GmbH

Am Gäxwald 14, D-76863 Herxheim Tel. (07276) 96680 FAX 9668-11

<http://www.wimo.com>

e-mail: info@wimo.com