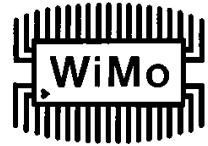




5.1~5.9 GHz LIGHTNING PROTECTOR
Best.Nr. 21060



Direkt zum Einschleifen ins Kabel, Anschlüsse N-
Buchse/N-Stecker. Mit Anschluß für Erdung.

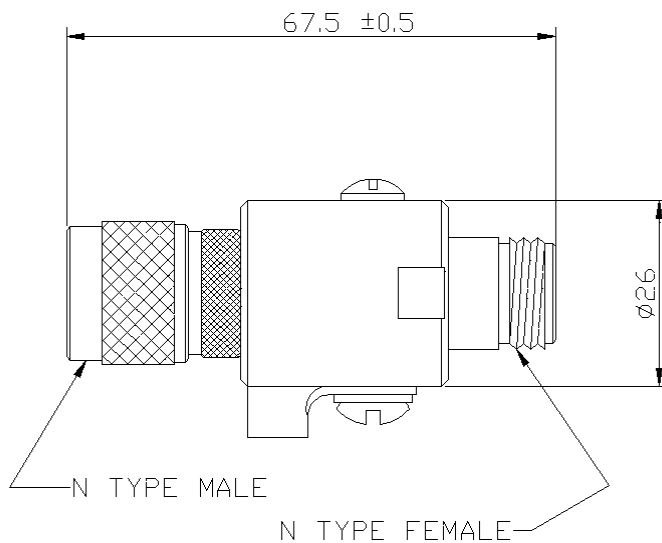
Directly inserted into the cable, connectors N
(f/m). With solder lug for ground connection.



Specifications:

Frequency Range	5.1~5.835 GHz
VSWR	2.0
Impedance	$50\Omega \pm 5\Omega$
Gain	N/A
Polarization	N/A
Power Handling	10 Watt
Connector	N Female To N Male
Operation Temp.	-30° ~ +60°
Material	Copper/Brass, Nickel plated
Dimension (L*W*H)	$\varnothing 26 * 67.5$ mm
Weight	$154g \pm 10g$

Dimensions

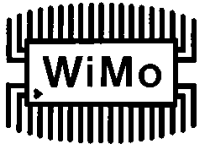


WiMo Antennen und Elektronik GmbH

Am Gäxwald 14, D-76863 Herxheim Tel. (07276) 96680 FAX 9668-11

<http://www.wimo.com>

e-mail: info@wimo.com

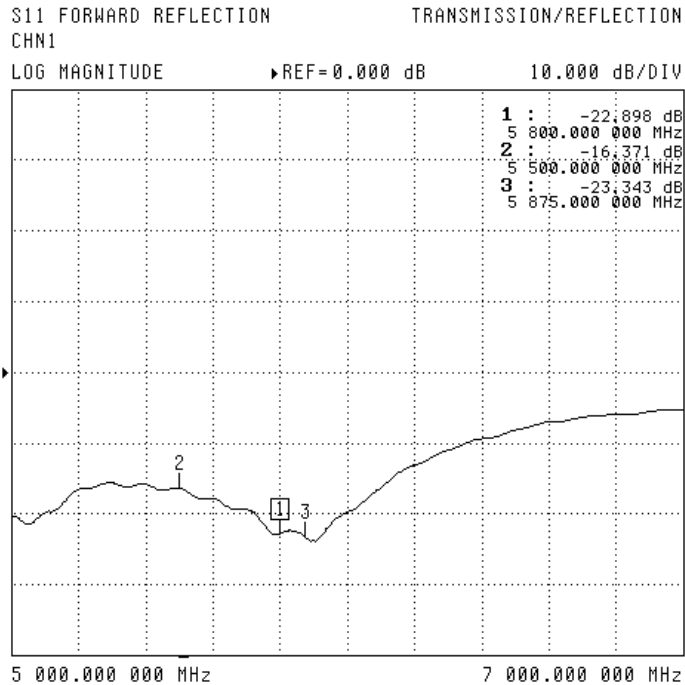


5.1~5.9 GHz LIGHTNING PROTECTOR

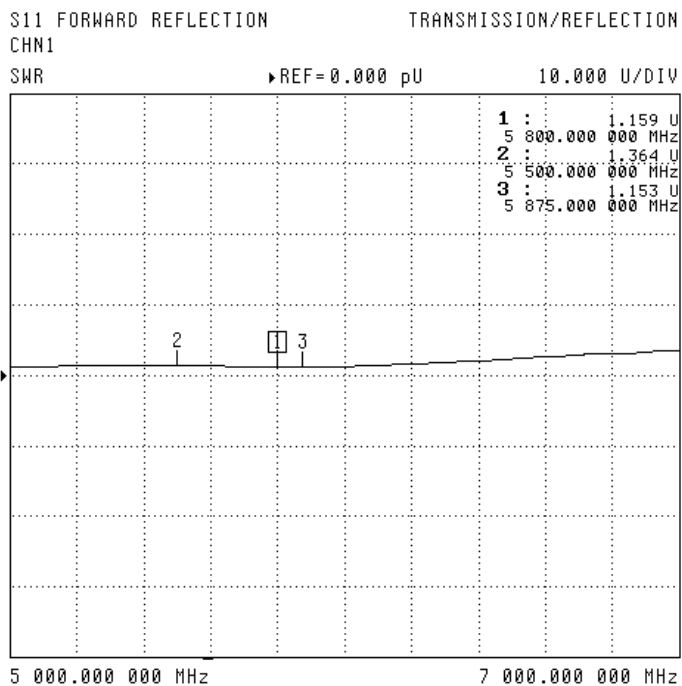
Best.Nr. 21060



Return Loss



SWR



WiMo Antennen und Elektronik GmbH

Am Gäxwald 14, D-76863 Herxheim Tel. (07276) 96680 FAX 9668-11

<http://www.wimo.com>

e-mail: info@wimo.com