

Data Sheet

Coaxial Relay CX-540D 24 V



MECHANICAL CHARACTERISTICS :

Contact Arrangement	SPDT
Operational Temperature	- 25°C to + 50°C
Max Temperature Rise	20°C
Weight	Approx. 230 g
Mounting	Four screws
Cable Connections	3 BNC type female connectors

ELECTRICAL CHARACTERISTICS :

Impedance	50 Ohms
Nominal Voltage	24 V DC
Voltage Range	20 V DC - 26 V DC
Current	66 mA @24 V DC 20°C
Coil Resistance	363 ±10% Ohms @ 20°C

RF-PROPERTIES :

Frequency MHz	VSWR max	Isolation -dB(min)	Ins. Loss -dB(max)	RF Power input W
50	1.005	65	0.10	350
150	1.01	60	0.15	300
500	1.03	53	0.18	300
1000	1.05	46	0.20	250
1500	1.17	42	0.20	200
2000	1.20	39	0.25	150

ACTUATION DATA :

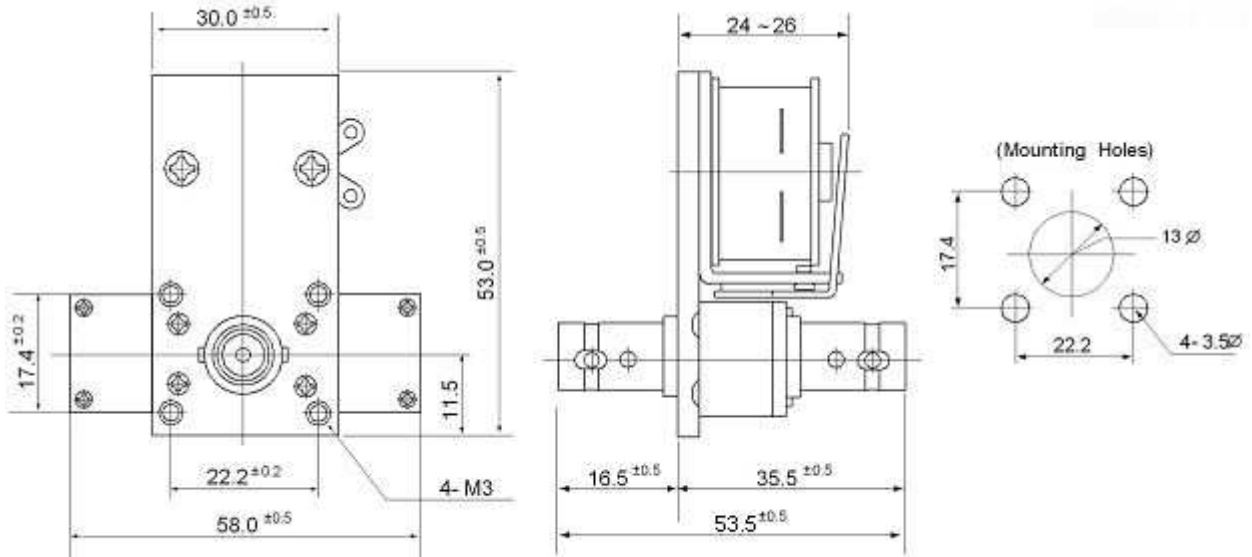
Pull In	20 V DC - 26 V DC (24 V DC nominal)
Drop Out	6,9 V DC min.

SWITCHING TIME :

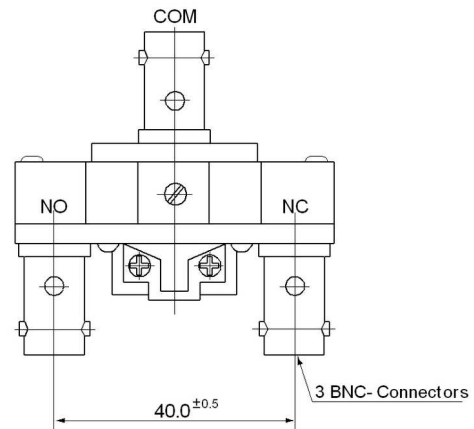
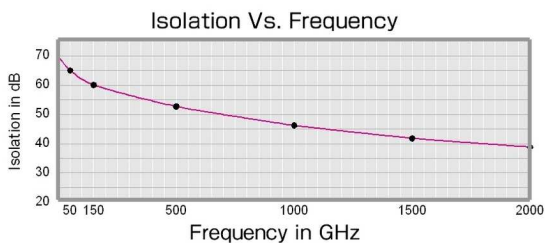
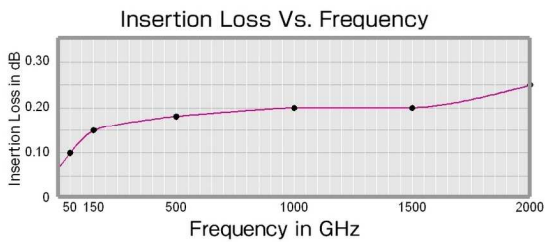
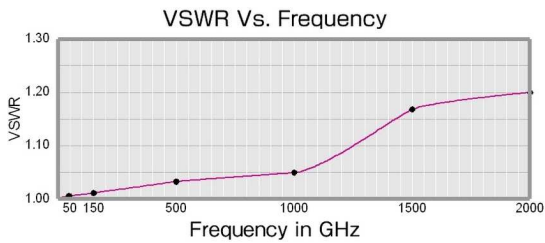
Pull In	20 ms max.
Drop Out	15 ms max.
Life Expectancy	500.000 Operations min.

Coaxial Relay CX-540D 24 V

DIMENSIONS :



Typical Operating Curves :



Schematic:

