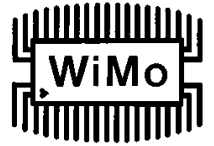




Aufbauantenne 5 GHz, IP67
Best.Nr. 18608.5



Model No.	18608.5
Operating Frequency	5100 - 5800 MHz
Antenna Type	Roof Screw Mount
Antenna Gain	5 dBi
Antenna Color	Black
VSWR	< 2.0
Polarization	Linear Vertical
Temperature	-40 to +85 °C
Humidity	40% to 95%
Connector	RPSMA Male
Case	Nylon, black bottom with gasket
Protection	IP67
Cable: RG-316	3m length
Mounting hole required	17mm dia.
Dimension	L47xW50xH50mm



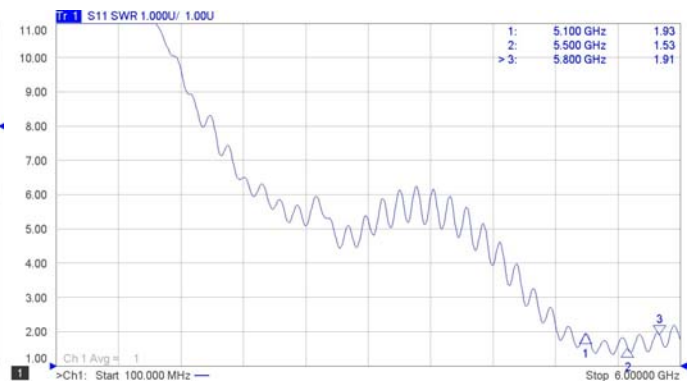
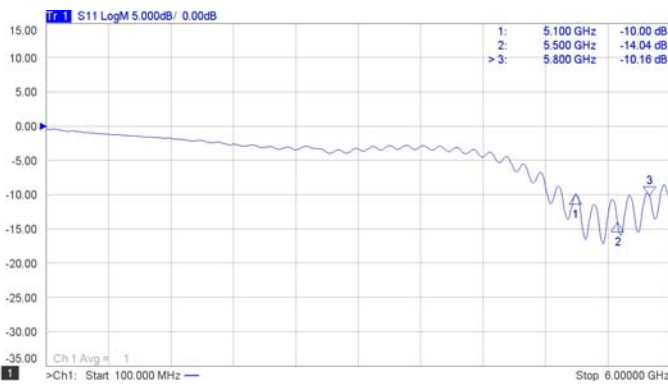
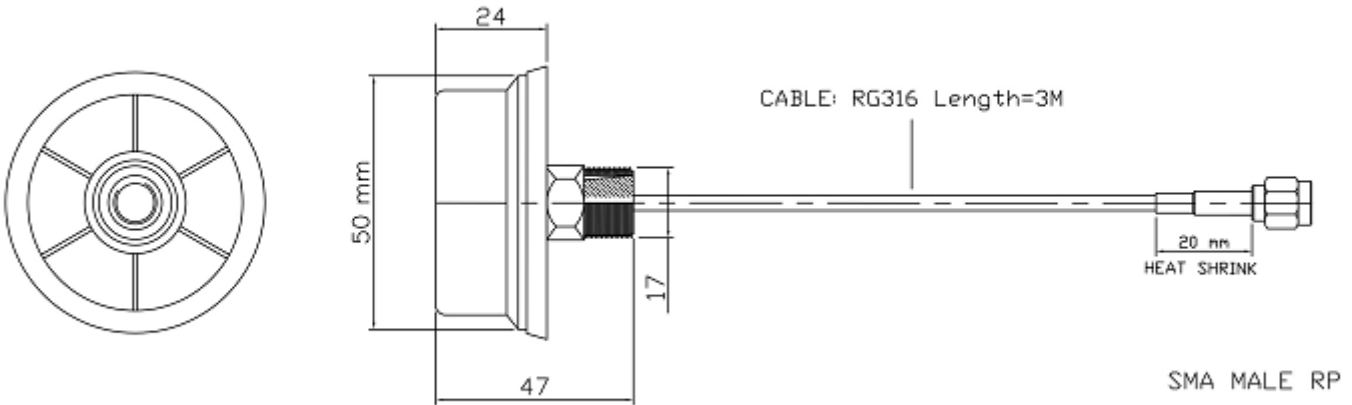
WiMo Antennen und Elektronik GmbH

Am Gäxwald 14, D-76863 Herxheim Tel. (07276) 96680 FAX 9668-11
<http://www.wimo.com> e-mail: info@wimo.com

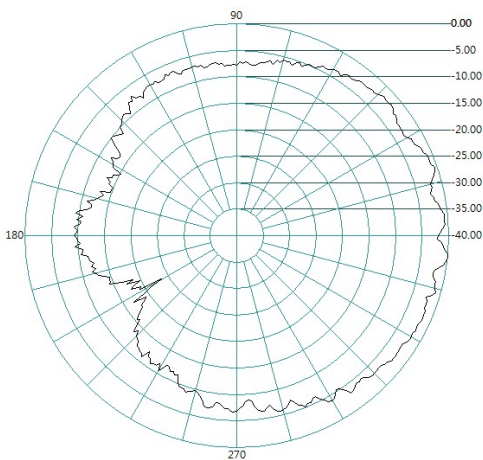


Aufbauantenne 5 GHz, IP67

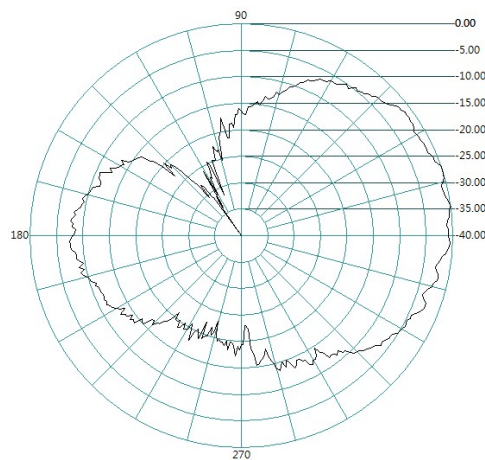
Best.Nr. 18608.5



H-Plane



E-Plane



WiMo Antennen und Elektronik GmbH

Am Gäxwald 14, D-76863 Herxheim Tel. (07276) 96680 FAX 9668-11
<http://www.wimo.com> e-mail: info@wimo.com