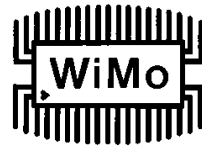


Panelantenne 2,4 / 5 GHz

2x MIMO Best.Nr. 18665.2



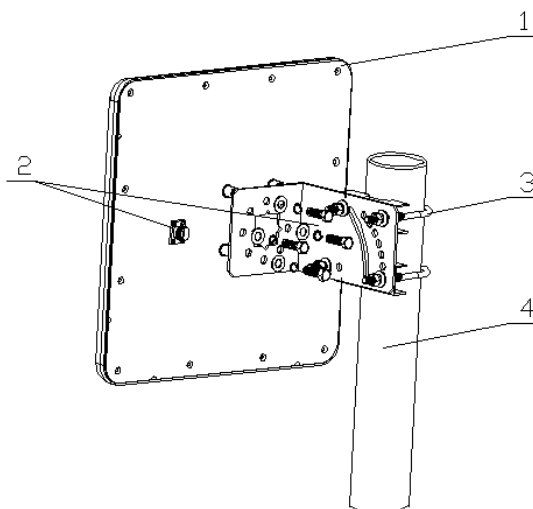
Flache Panelantenne für W-LAN im 2,4 und 5 GHz Bereich. Unterstützt den 802.11a/b/g/n Standard. Die Antenne arbeitet nach dem MIMO - Prinzip. Zwei getrennte Antennensysteme, zwei Anschlüsse.

Small panel antenna for 2,4 and 5 GHz WiFi. This antenna supported the 802.11a/b/g/n standards. The antenna works by the MIMO principle. 2 separate antennas inside, 2 connectors.

Specifications

| | | |
|---------------------|----------------------------|-------------|
| Model | 18665.2 | |
| Freq.Range | 2400-2483 | 5150-5850 |
| Bandwidth | 83 MHz | 700 MHz |
| Gain | 10 dBi | 11 dBi |
| Beamwidth | E:30° H:65° | E:25° H:50° |
| Port Isolation | ≥28 dB | |
| F/B Ratio | ≥30 dB | |
| VSWR | ≤1.8 | |
| Impedance | 50 Ω | |
| Polarization | 1x vertical, 1x horizontal | |
| Max.Power | 20 W | |
| Connector | 2x N female | |
| Dimensions | 261×261×35 mm | |
| Weight | 1.15 kg | |
| Mast Diameter | 40 to 50 mm | |
| Temperature Range | -40 - 75°C | |
| IP Protection Class | IP55 | |
| Humidity | 90-95% | |

1. Antenna
2. Connector
3. Bracket
4. Mounting Mast



WiMo Antennen und Elektronik GmbH

Am Gäxwald 14, D-76863 Herxheim Tel. (07276) 96680 FAX 9668-11
<http://www.wimo.com> e-mail: info@wimo.com