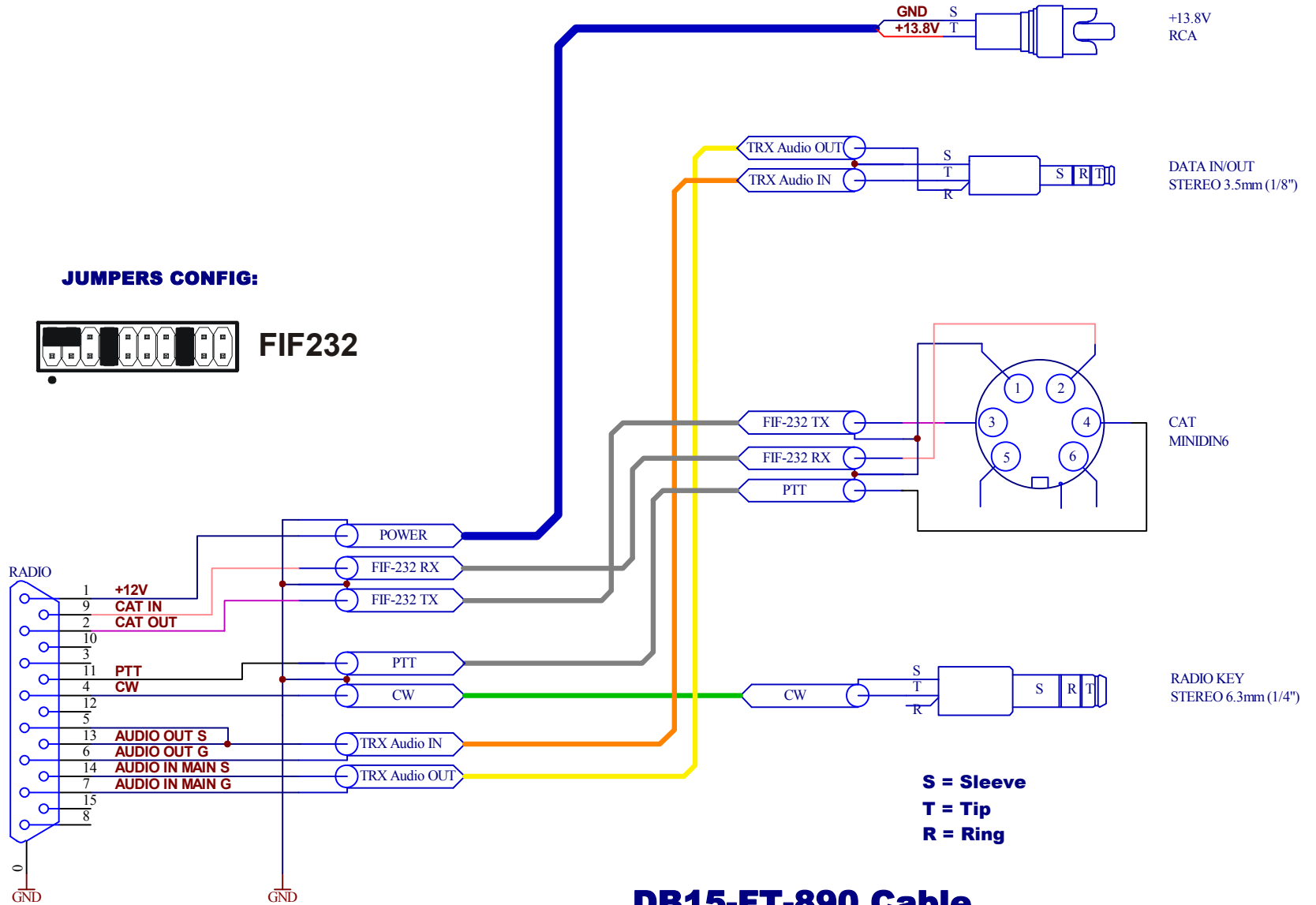


**JUMPERS CONFIG:**



**FIF232**



**S = Sleeve**  
**T = Tip**  
**R = Ring**

**DB15-FT-890 Cable**

**FT-890 FT-900**