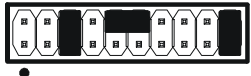
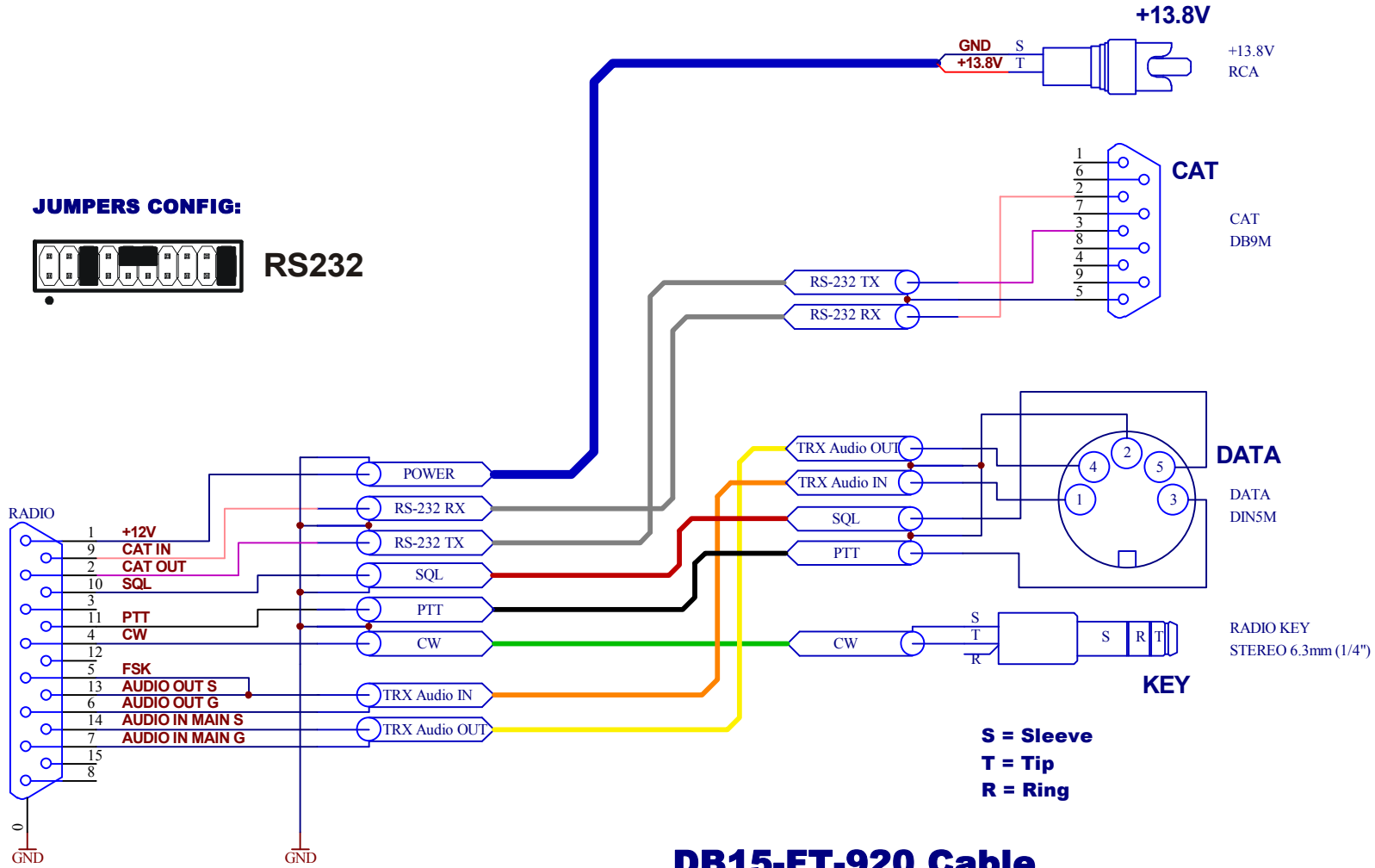


JUMPERS CONFIG:



RS232



DB15-FT-920 Cable

FT-920