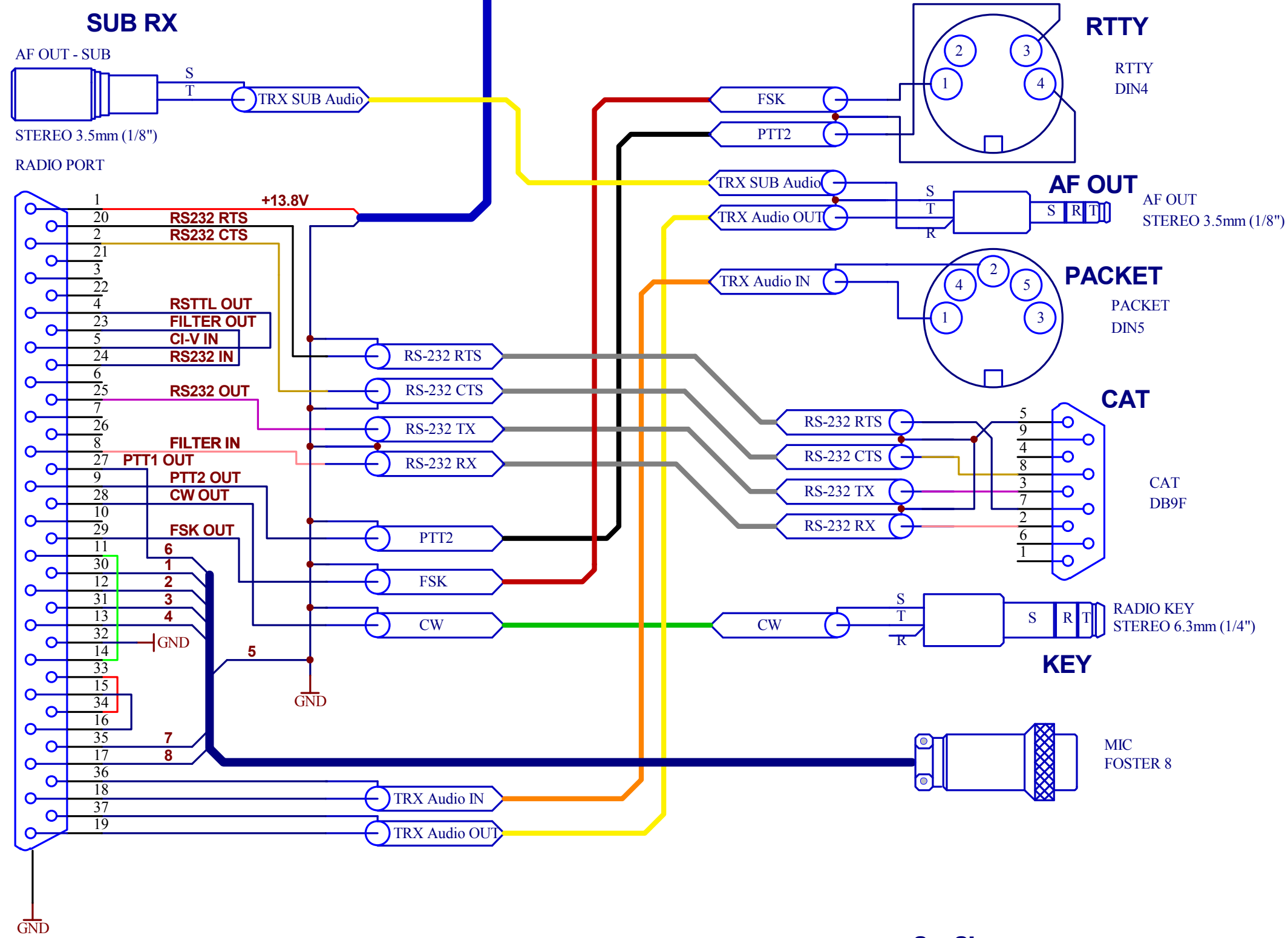


# DB37-FT-2000 Cable



**FT- 2000, 2000D**

**Notes:**

**PTT1 is used for CW/SSB, PTT2 for digital modes**

**S = Sleeve**

**T = Tip**

**R = Ring**