



**2300-2700MHz DUAL POLARIZATION ANTENNA**  
Best.Nr. 18033.DUAL



Flachantenne mit zwei Systemen  
(vertikal/horizontal polarisiert), z.B. für  
Applikationen mit 802.11n (MIMO).

Panel antenna with two independent antennas  
with vertical resp. horizontal polarization, for  
802.11n (MIMO) and other applications.



Electrical Specifications:

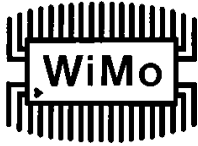
Frequency Range	2300 ~ 2700 MHz
VSWR	≤ 2.0
Impedance	50 Ω
Gain	V: 13/ H :12 dBi
Polarization	LINEAR , V / H
Power Handling	10 Watt
Connector	N female
Operation Temp.	-30... 60°
Dimension (L*W*H)	256*227*19 mm
Weight	952g ± 10g(w/mount)

**WiMo Antennen und Elektronik GmbH**

Am Gäxwald 14, D-76863 Herxheim Tel. (07276) 96680 FAX 9668-11

<http://www.wimo.com>

e-mail: [info@wimo.com](mailto:info@wimo.com)



**2300-2700MHz DUAL POLARIZATION ANTENNA**  
Best.Nr. 18033.DUAL



**VSWR:**

VSWR measurement (S11): Use ROHDE & SCHWARZ ZV8 Network Analyzer with Harbour RG-142 coaxial cable: 1000mm length in free space.

	VSWR Performance				
Freq(MHz)	2300	2400	2500	2600	2700
V POLARISATION	<b>1.955</b>	<b>1.245</b>	<b>1.280</b>	<b>1.844</b>	<b>2.003</b>
H POLARISATION	<b>1.724</b>	<b>1.250</b>	<b>1.191</b>	<b>1.815</b>	<b>1.533</b>

**Gain:**

The gain of the antenna is measured using a reflexion-free chamber. The chamber provides less than -30 dB reflectivity from 800 MHz through 6 GHz and a 60cm diameter spherical quiet zone. The measurement results are calibrated using both SCHWARZBECK horn standards. A decoupling sleeve is used to reduce feed line radiation.

	Peak Gain (dBi)				
Freq(MHz)	2300	2400	2500	2600	2700
V POLARIZATION H PLANE	<b>12.78</b>	<b>13.12</b>	<b>13.74</b>	<b>13.15</b>	<b>12.98</b>
V POLARIZATION E PLANE	<b>12.75</b>	<b>13.31</b>	<b>13.77</b>	<b>13.28</b>	<b>13.1</b>
H POLARIZATION H PLANE	<b>11.62</b>	<b>12.45</b>	<b>12.28</b>	<b>11.55</b>	<b>10.81</b>
H POLARIZATION E PLANE	<b>12.19</b>	<b>13.16</b>	<b>13.24</b>	<b>12.01</b>	<b>11.31</b>

**WiMo Antennen und Elektronik GmbH**

Am Gäxwald 14, D-76863 Herxheim Tel. (07276) 96680 FAX 9668-11  
<http://www.wimo.com> e-mail: [info@wimo.com](mailto:info@wimo.com)

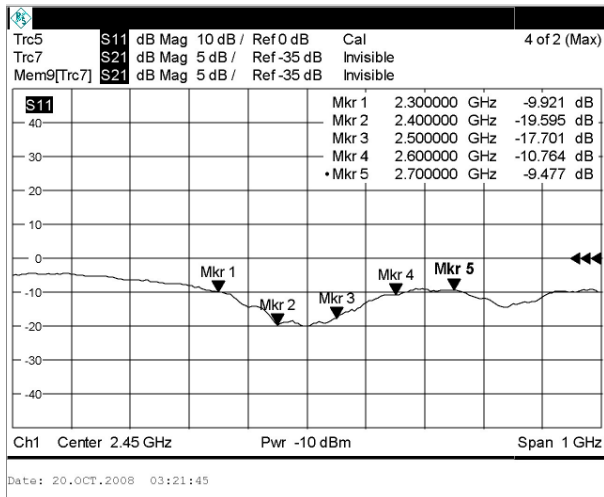


## 2300-2700MHz DUAL POLARIZATION ANTENNA

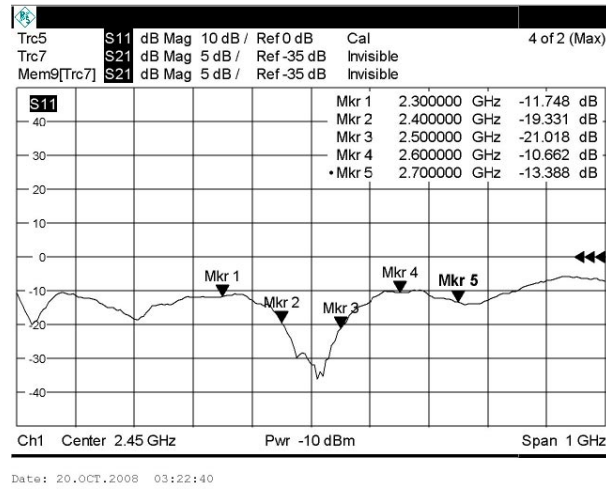
Best.Nr. 18033.DUAL



### RETURN LOSS

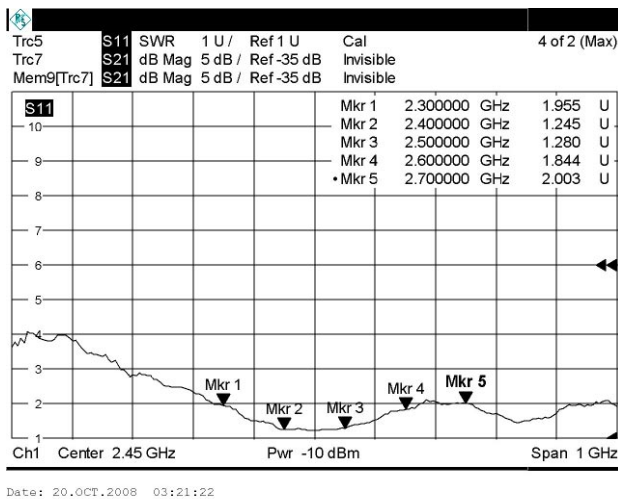


V POLARIZATION

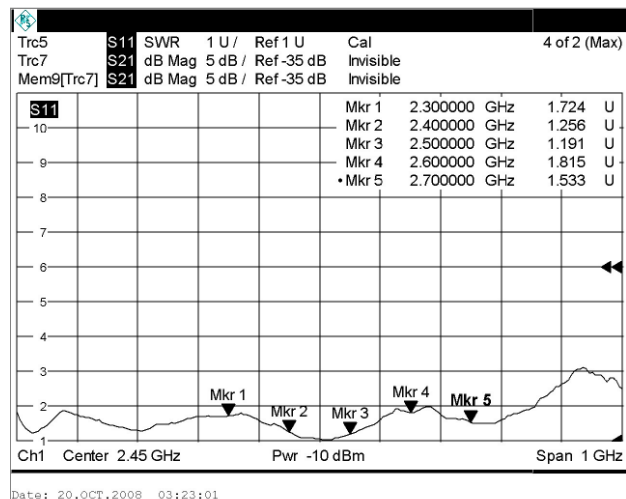


H POLARIZATION

### SWR



V POLARIZATION



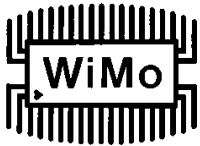
H POLARIZATION

## WiMo Antennen und Elektronik GmbH

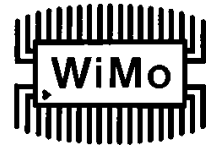
Am Gäxwald 14, D-76863 Herxheim Tel. (07276) 96680 FAX 9668-11

<http://www.wimo.com>

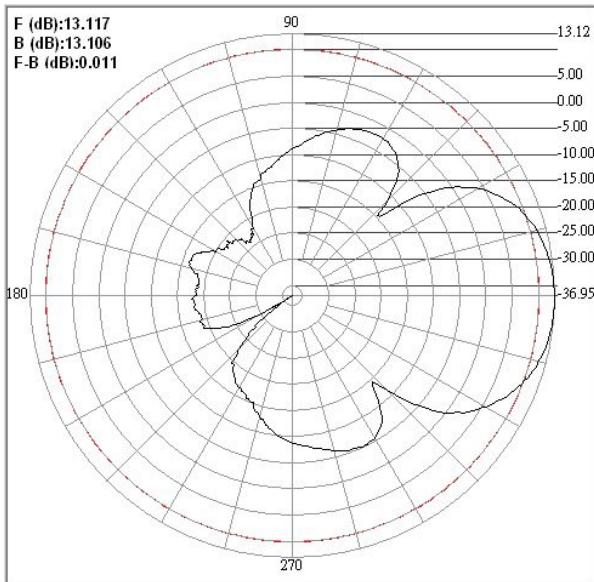
e-mail: [info@wimo.com](mailto:info@wimo.com)



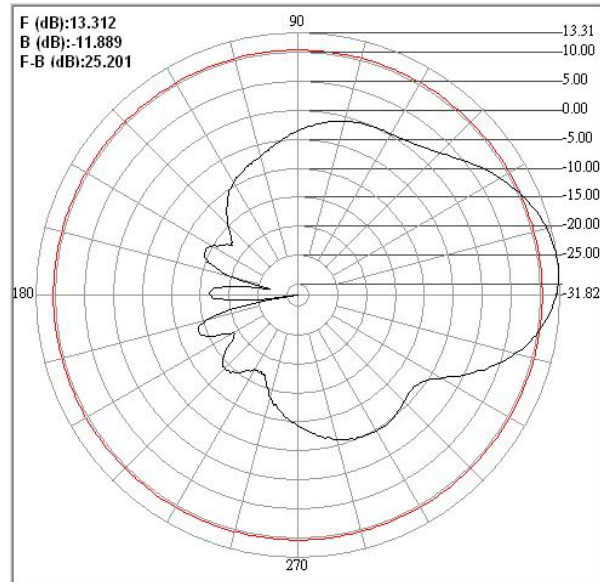
**2300-2700MHz DUAL POLARIZATION ANTENNA**  
Best.Nr. 18033.DUAL



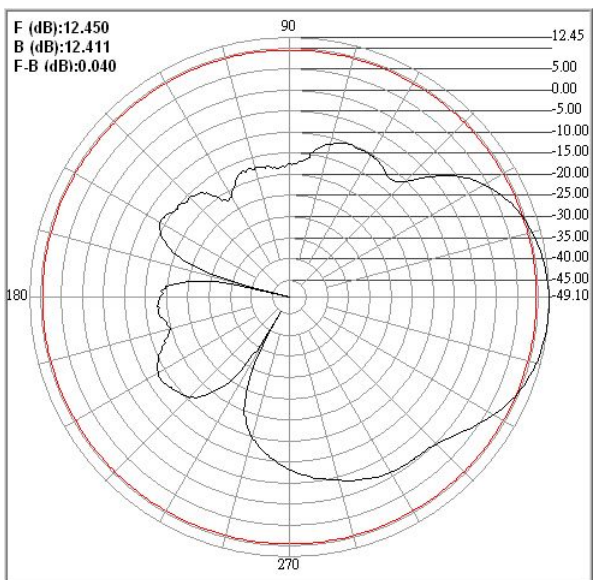
**DIRECTIONAL PATTERNS @ 2400 MHz**



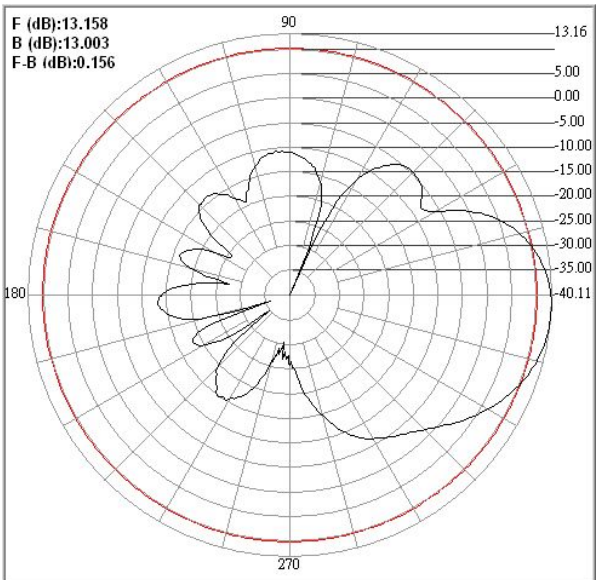
V POLARIZATION H PLANE



V POLARIZATION E PLANE



H POLARIZATION H PLANE



H POLARIZATION E PLANE

**WiMo Antennen und Elektronik GmbH**

Am Gäxwald 14, D-76863 Herxheim Tel. (07276) 96680 FAX 9668-11

<http://www.wimo.com>

e-mail: [info@wimo.com](mailto:info@wimo.com)