

# TEST REPORT

Description : LIGHTNING PROTECTOR 0-3GHz N PLUG TO N JACK

Part NO. : LP-24-13-01

REV	DESCRIPTION	DRAWN	DATE

LIGHTNING PROTECTOR 0-3GHz N MALE TO N FEMALE

Frequency : 0-3GHz

VSWR : 1:1.5 max

0-3GHz Insertion Loss : < 0.9

Impedence : 50 Ohm

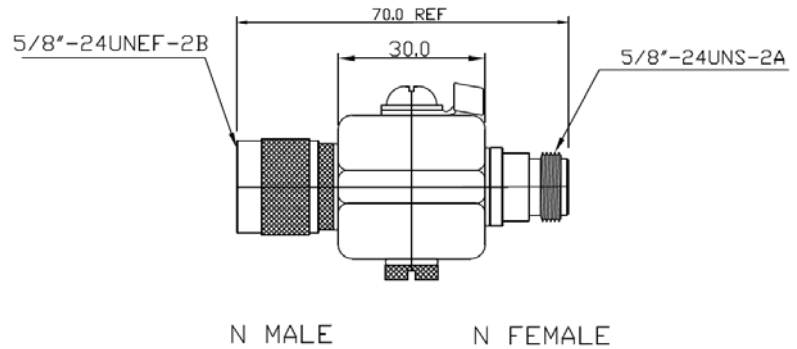
Gas Tube DC Breakdown Voltage : 230V

Impulse Breakdown Voltage : <=700V

Insulation Resistance : >=10000 M Ohm

Surge Discharge Current : 10KA

RF Power Rating : 15W



UNLESS OTHERWISE SPECIFIED 1.REMOVE ALL BURRS. 2.BREAK ALL CONNERS & EDGES CO.15 MAX. 3.CHAMFER 1ST & LAST THREADS 45° 4.DIAMETERS ON COMMON CENTERS. TO BE CONCENTRIC WITHIN 0.1 TIR. 5.ALL DIMENSIONS ARE AFTER PLATING.	*MAJOR DIMENSION		APPROVED	TITLE LIGHTNING PROTECTOR 0-3GHz N MALE TO N FEMALE DRAWING NO. LP-24-13-01 REV A
	UNLESS OTHERWISE NOTED TOLERANCES		CHECKED	
	0.5-6=±0.2		DRAWN	
	6-30=±0.4		andrew	
	30-120=±0.6		DRAWN DATE 04/01/31	
120-315=±1.0		FILE NO.		
ANGLES=±1°				
SCALE	1/1	UNIT	MM	

