

SPECIFICATION MODEL CX-520D

IMPEDANCE/50 Ohms.

VOLTAGE

ACTUATION DATA :

VOLTAGE :

Pull In 10Vdc - 14Vdc (12Vdc Nominal)
 Drop out 3.0Vdc Min.
 Current 160mA @12Vdc 20°C
 Coil resistance ... 75 Ohms 10% 20°C

SWITCHING TIME

SWITCHING TIME :

Pull in 20ms max.
 Drop out 15ms max.
 LIFE EXPECTANCY ... 1,000,000. - Operation min.

MECHANICAL

MECAHANICAL :

Contact arrangement SPDT
 Operational temperature - 25°C to + 50°C (Max Temperature Rise:20c)
 Weight Approx 230gs.
 Mounting Four screws
 Cable connections 3 N Type female Connectors

ELECTRICAL CHARACTERISTICS

ELECTRICAL CHARACTERISTICS :

Frequency MHz	VSWR Max	Isolation -dB(min)	Ins.Loss -dB(max)	IN PUT	
				RF Power	KW
50	1.005	65	0.1	0.35	
150	1.01	60	0.15	0.3	
500	1.03	53	0.18	0.3	
1000	1.05	46	0.2	0.25	
1500	1.17	42	0.2	0.2	
2000	1.2	39	0.25	0.15	

COIL CHARACTERISTICS

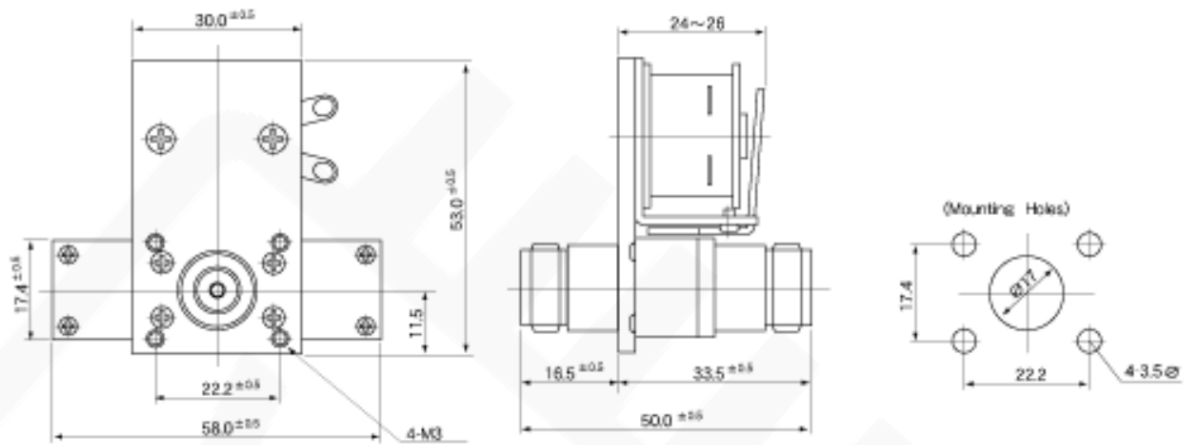
COIL CHARACTERISTICS :

Nominal Voltage 12Vdc	Voltage Range 10Vdc - 14Vdc	Coil Resistance Ohms 75 ±10% 20°C
--------------------------	--------------------------------	--------------------------------------

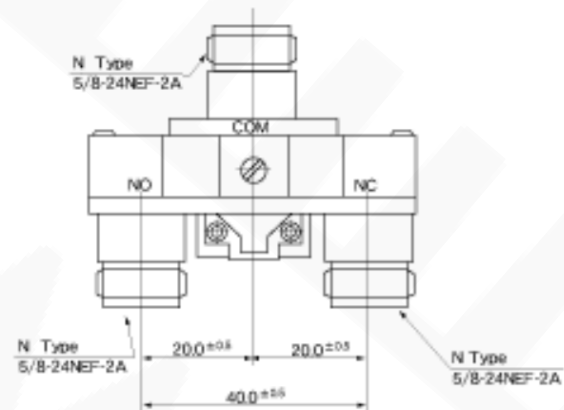
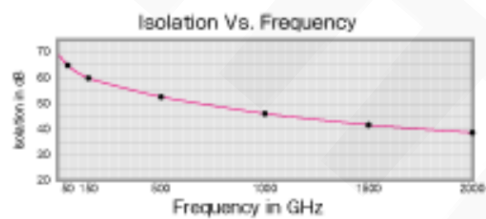
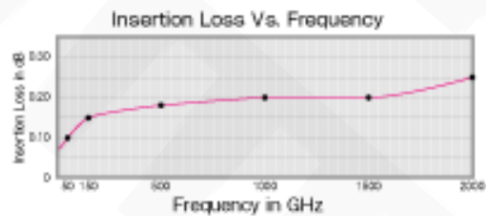
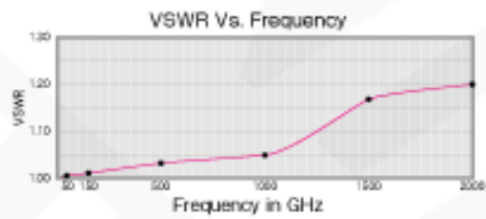
Note : Other voltages are also available at option.

DIMENSIONS

■ SCALE m/n



Typical Operating Curves



Schematic

