



SPECIFICATION

MODEL

CX-600N

IMPEDANCE / 50 Ohms.

VOLTAGE

ACTUATION DATA :
VOLTAGE :

Pull in 10Vdc - 14Vdc (12.0Vdc Nominal)
 Drop out 3.0Vdc Min.
 Current 160mA @12Vdc 20°C
 Coil resistance ... 75 Ohms 10% @ 20°C

SWITCHING TIME

SWITCHING TIME :

Pull in 20ms max.
 Drop out 15ms max.
 LIFE EXPECTANCY ... 1,000,000. - Operation min.

MECHANICAL

MECAHANICAL :

Contact arrangement SPDT
 Operational temperature - 25°C to + 50°C (Max Temperature Rise:20c)
 Weight Approx 230gs.
 Mounting Four screws
 Cable connections 3 N Type female connectors.

ELECTRICAL CHARACTERISTICS

ELECTRICAL CHARACTERISTICS :

Frequency MHz	VSWR Max	Isolation -dB(min)	Ins.Loss -dB(max)	IN PUT
				RF Power KW
50	1.03	60	0.07	1.0
150	1.1	48	0.1	1.0
500	1.15	37	0.15	0.8
1000	1.2	28	0.2	0.5
1500	1.2	26	0.2	0.35
2000	1.25	23	0.23	0.1

COIL CHARACTERISTICS

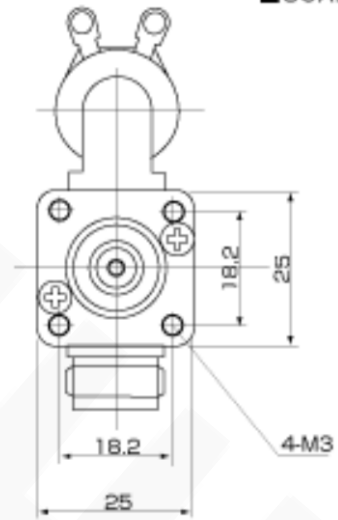
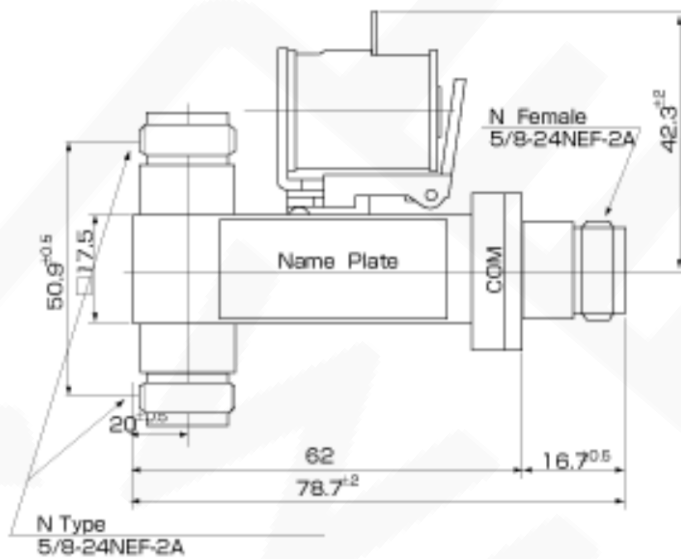
COIL CHARACTERISTICS :

Nominal Voltage 12Vdc	Voltage Range 10Vdc - 14Vdc	Coil Resistance Ohms 75 ±10% 20°C
--------------------------	--------------------------------	--------------------------------------

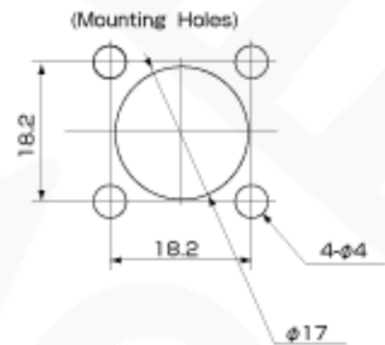
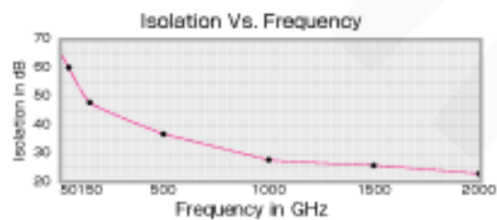
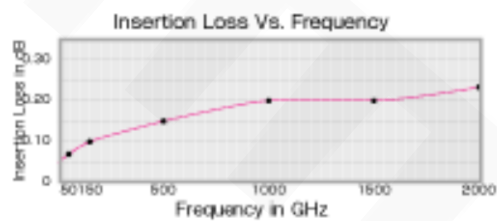
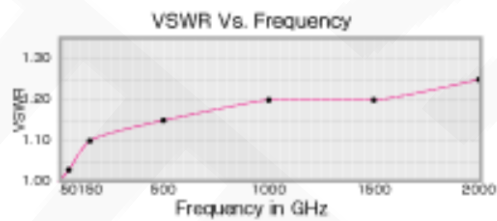
Note : Other voltages are also available at option.

DIMENSIONS

SCALE m/n



Typical Operating Curves



Schematic

