

SPECIFICATION

MODEL

CX-600NC

IMPEDANCE/50 Ohms.

VOLTAGE

ACTUATION DATA :

VOLTAGE :

Pull in 10Vdc - 14Vdc (12.0Vdc Nominal)

Drop out 3.0Vdc Min.

Current 160mA @12Vdc 20°C

Coil resistance ... 75 Ohms 10% @ 20°C

SWITCHING TIME

SWITCHING TIME :

Pull in 20ms max.

Drop out 15ms max.

LIFE EXPECTANCY ... 1,000,000. - Operation min.

MECHANICAL

MECAHANICAL :

Contact arrangement SPDT

Operational temperature - 25°C to + 50°C (Max Temperature Rise:20c)

Weight Approx 230gs.

Mounting Four screws

Cable connections 1 N Type female connector, Directly connect cables.

ELECTRICAL CHARACTERISTICS

ELECTRICAL CHARACTERISTICS :

Frequency MHz	VSWR Max	Isolation -dB(min)	Ins.Loss -dB(max)	IN PUT
				RF Power KW
50	1.03	60	0.07	1.0
150	1.1	48	0.1	1.0
500	1.15	37	0.15	0.8
1000	1.2	28	0.2	0.5
1500	1.2	26	0.2	0.35

COIL CHARACTERISTICS

COIL CHARACTERISTICS :

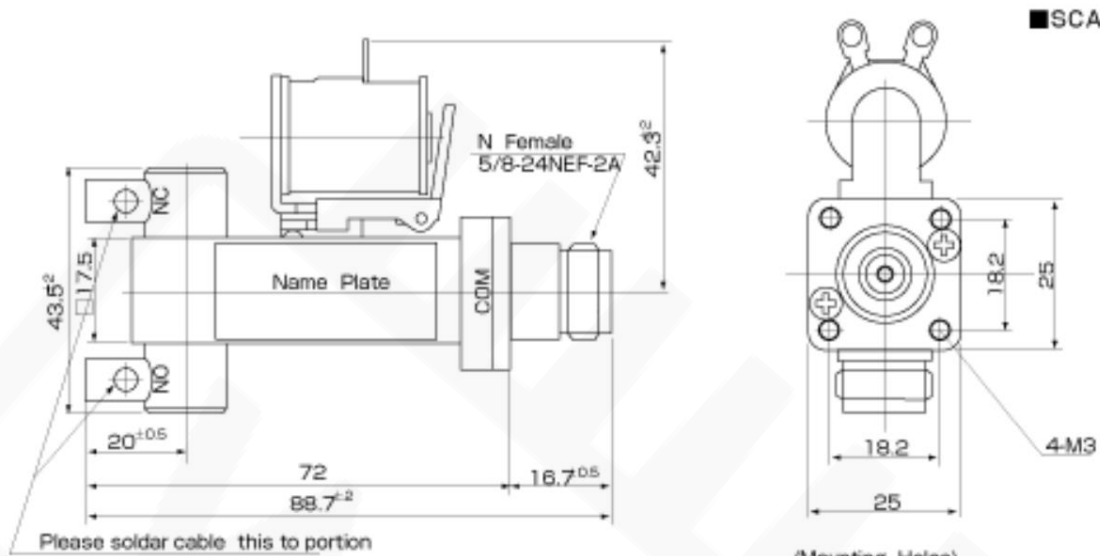
Nominal Voltage
12Vdc

Voltage Range
10Vdc - 14Vdc

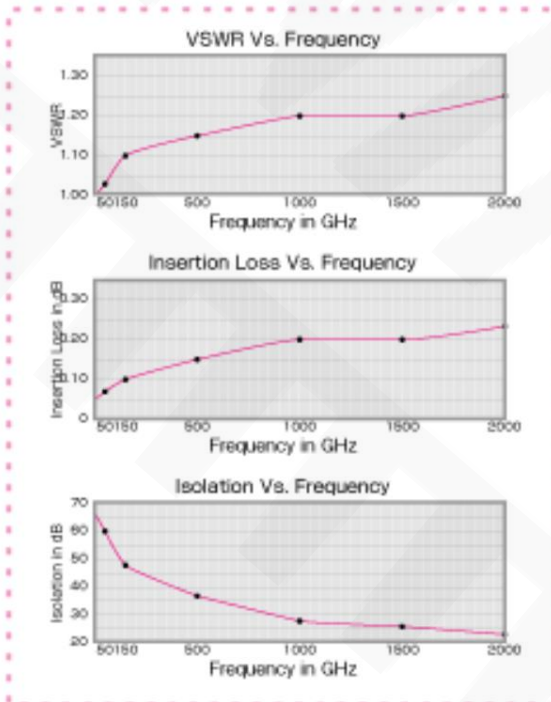
Coil Resistance Ohms
75 ±10% 20°C

Note : Other voltages are also available at option.

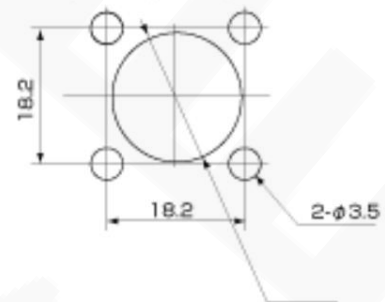
DIMENSIONS



Typical Operating Curves



(Mounting Holes)



Schematic

