

# SPECIFICATION MODEL CX-600M

IMPEDANCE/50 Ohms.

## VOLTAGE

ACTUATION DATA :

VOLTAGE :

Pull in ..... 10Vdc - 14Vdc (12.0Vdc Nominal)

Drop out ..... 3.0Vdc Min.

Current ..... 160mA @12Vdc 20°C

Coil resistance ... 75 Ohms 10% @ 20°C

## SWITCHING TIME

SWITCHING TIME :

Pull in ..... 20ms max.

Drop out ..... 15ms max.

LIFE EXPECTANCY ... 1,000,000. - Operation min.

## MECHANICAL

MECAHANICAL :

Contact arrangement ..... SPDT

Operational temperature ..... - 25°C to + 50°C (Max Temperature Rise:20c)

Weight ..... Approx 230gs.

Mounting ..... Two screws

Cable connections ..... 3 M(UHF) Type female connectors.

## ELECTRICAL CHARACTERISTICS

ELECTRICAL CHARACTERISTICS :

Frequency MHz	VSWR Max	Isolation -dB(min)	Ins.Loss -dB(max)	INPUT
				RF Power KW
50	1.03	60	0.07	1.0
150	1.1	48	0.1	1.0
500	1.15	37	0.15	0.8

## COIL CHARACTERISTICS

COIL CHARACTERISTICS :

Nominal Voltage.  
12Vdc

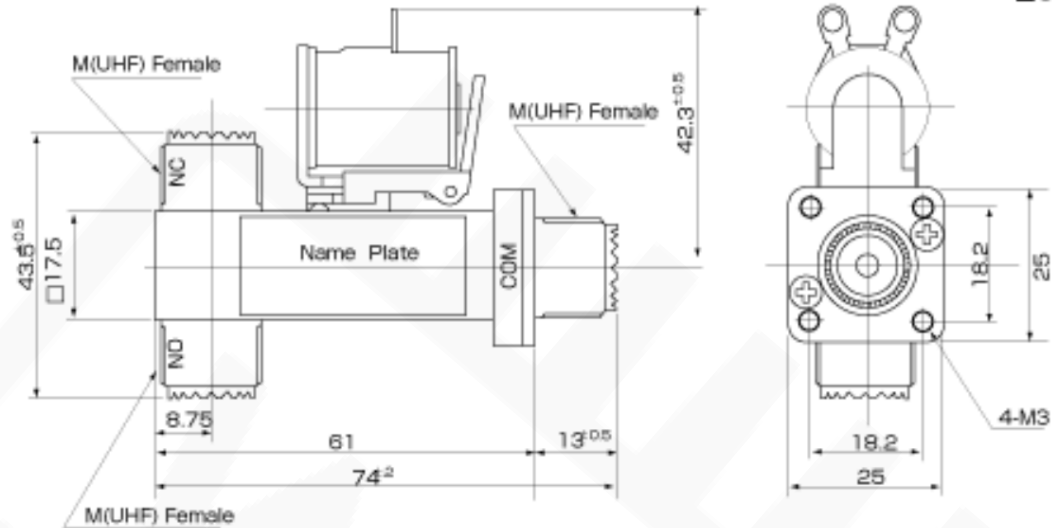
Voltage Range  
10Vdc - 14Vdc

Coil Resistance Ohms  
75 ±10% 20°C

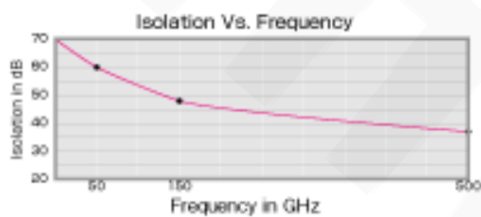
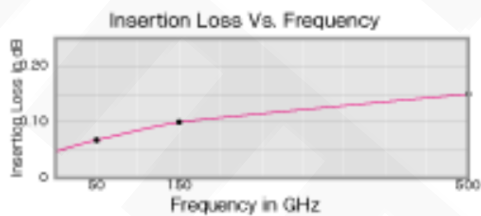
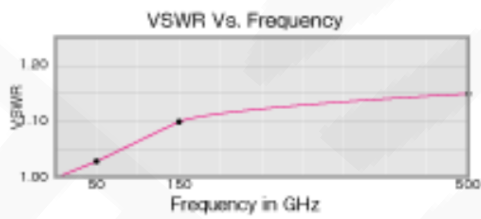
Note : Other voltages are also available at option.

## DIMENSIONS

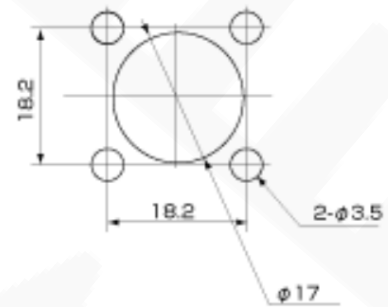
SCALE m/n



## Typical Operating Curves



(Mounting Holes)



## Schematic

