

SPECIFICATION MODEL CX-800N

IMPEDANCE / 50 Ohms.

VOLTAGE

ACTUATION DATA :

VOLTAGE :

Pull in 10Vdc - 14Vdc (12Vdc Nominal)

Drop out 3.0Vdc Min.

Current 226mA 12Vdc @20°C

Coil resistance ... 53 Ohms 10% @ 20°C

SWITCHING TIME

SWITCHING DATA :

Pull in 20ms max.

Drop out 15ms max.

LIFE EXPECTANCY ... 1,000,000. Operation min.

MECHANICAL

MECAHANICAL :

Contact arrangement DPDT

Operational temperature - 25°C to + 50°C (Max Temperature Rise:20c)

Weight Approx 365gs.

Mounting 2 MTG holes

Cable connections 6N Type female connectors.

ELECTRICAL CHARACTERISTICS

ELECTRICAL CHARACTERISTICS :

Frequency MHz	VSWR Max	Isolation -dB(min)	Ins.Loss -dB(max)	INPUT
				RF Power KW
50	1.1	50	0.15	1.0
150	1.15	48	0.15	1.0
500	1.15	37	0.2	0.8
1000	1.18	28	0.2	0.5
1500	1.2	26	0.2	0.35
2000	1.3	23	0.3	0.15

COIL CHARACTERISTICS

COIL CHARACTERISTICS :

Nominal Voltage.

12Vdc

Voltage Range

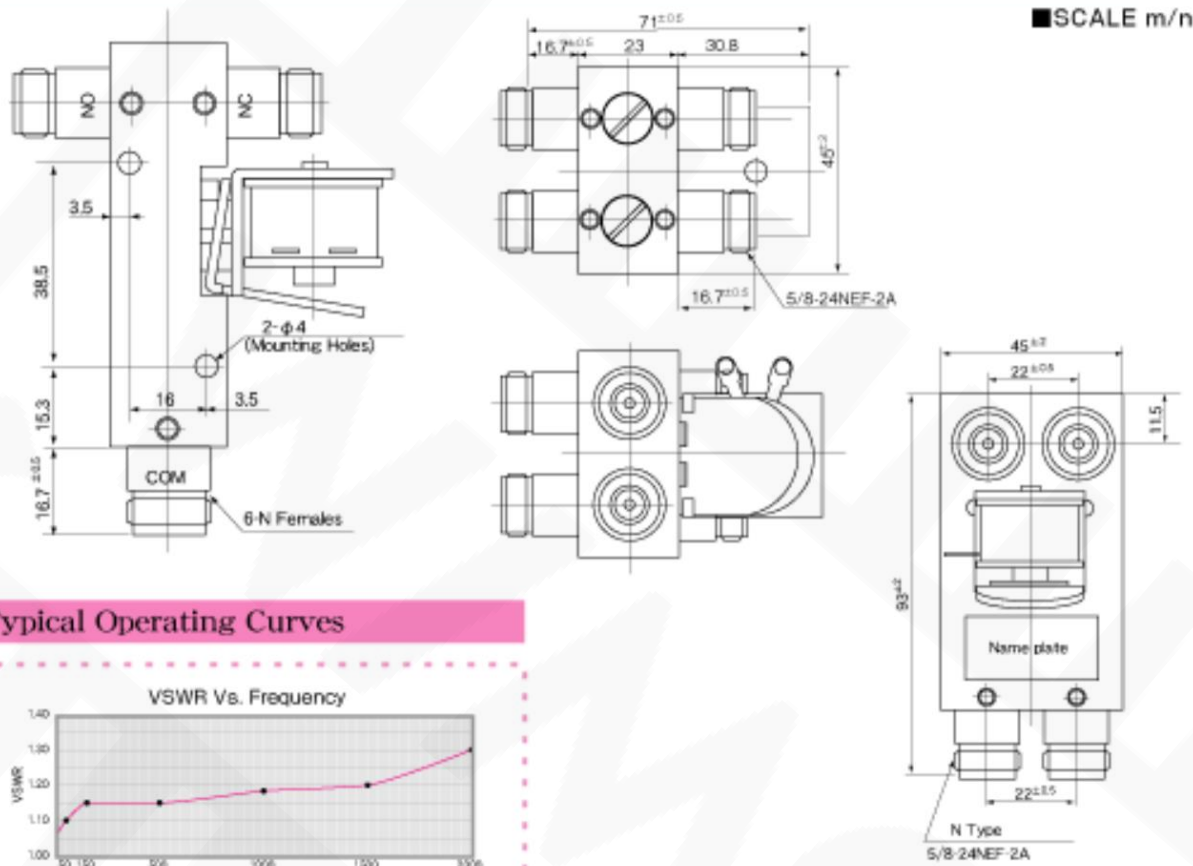
10Vdc - 14Vdc

Coil Resistance Ohms

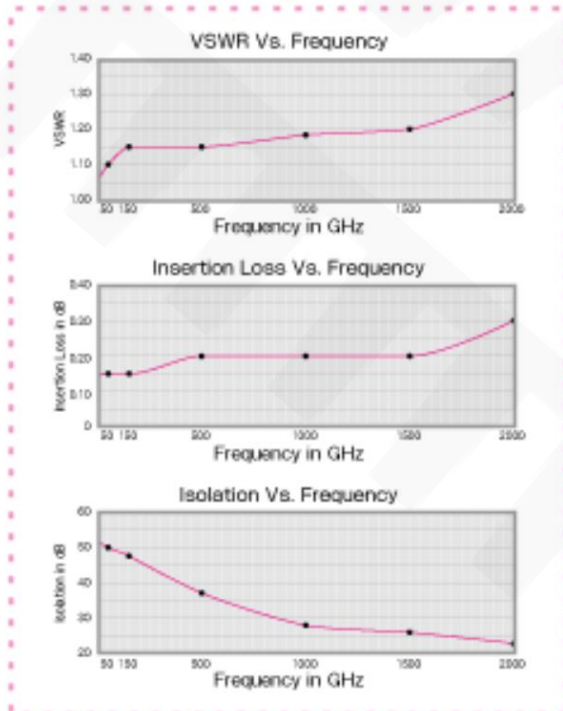
53 ±10% 20°C

Note : Other voltages are also available at option.

DIMENSIONS



Typical Operating Curves



Schematic

