

Shackmaster™ OSL Kit

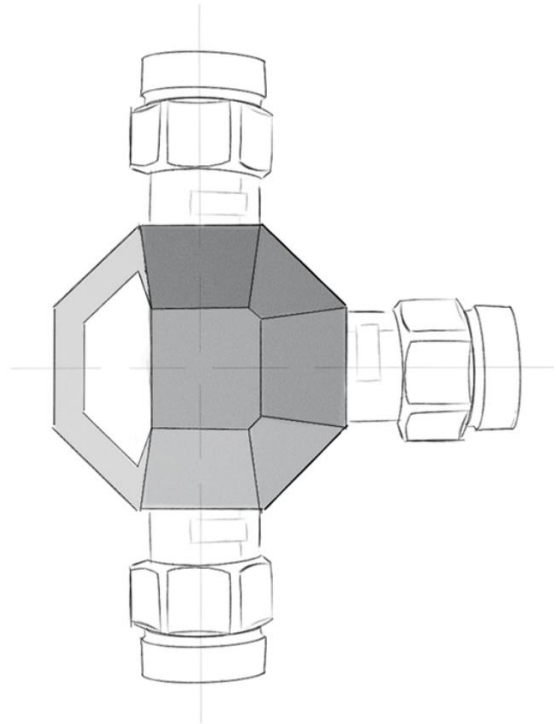
Compact & Accurate 3-in-1 OSL Calibration kit for radio amateurs

Applications

- Amateur radio
- Lab equipment
- Telecom
- DIY

Main Features

- 3x N-type 50 Ohm interfaces
- DC to 2.5 GHz
- 250mW
- -31 dB @ 1.5 GHz



Specifications

Number of interfaces	3
Interface type	N male 50 Ohm
Frequency range	DC to 2.5 GHz
Power rating	250mW
Return loss	-22 dB @ 3 GHz -31 dB @ DC to 1.5 GHz
DC-resistance Lad	50 Ohm
Weight	160g
Operating temperature range	-15°C to +55°C
Storage temperature range	-40°C to +85°C
Weight	1.1kg