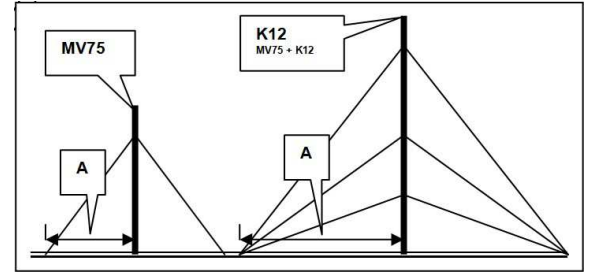
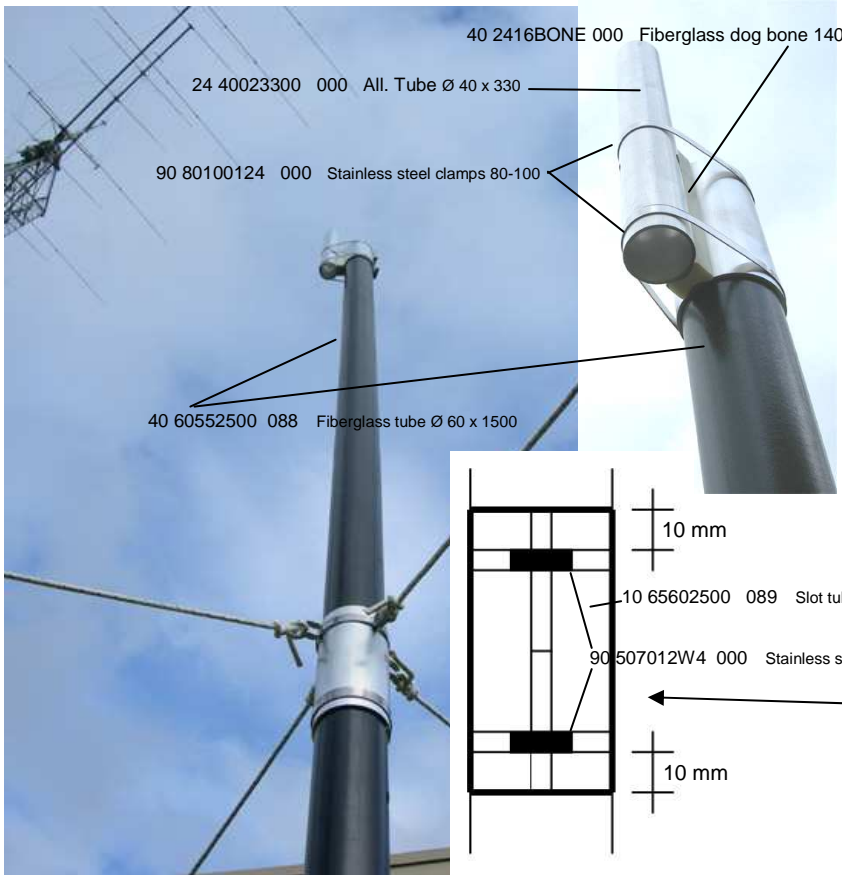
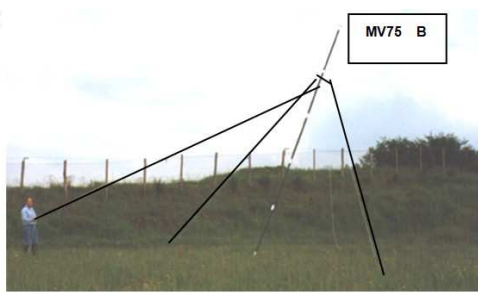
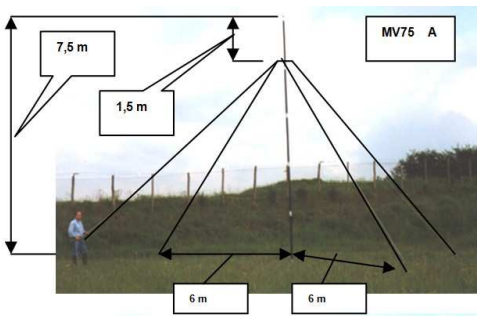
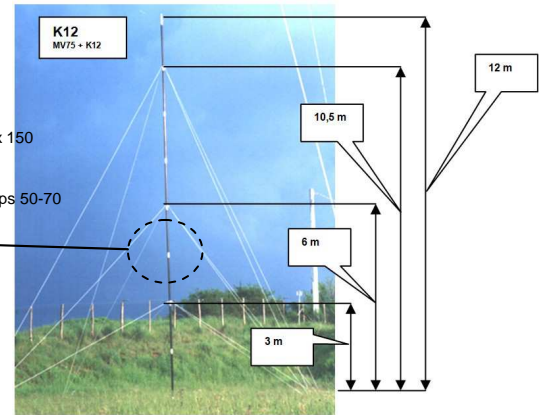
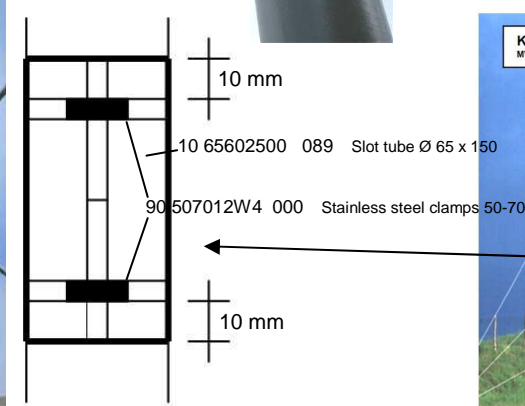


MV75 FIBERGLASS-MAST ASSEMBLY INSTRUCTIONS



	MV75	K12
A m.	6	12
MAX WEIGHT AT THE TOP Kg.	12	5



MV75 Parts list		
Part number	Name	Qty.
40 60552500 088	Fiberglass tube Ø 60 x 1500	5
10 65602500 089	Slot tube Ø 65 x 150	5
90 507012W4 000	Stainless steel clamps 50-70	10

K75 Parts list		
Part number	Name	Qty.
10 65602500 089	Slot tube Ø 65 x 150	2
90 507012W4 000	Stainless steel clamps 50-70	2
90 80100124 000	Stainless steel clamps 80-100	2
27 300ZT000 000	Pegs	5
69 4TRECCIA 000	Rope to be cut 4 x 10m each	40
40 2416BONE 000	Fiberglass dog bone 140	1
24 40023300 000	All. Tube Ø 40 x 330	1
24 1518RING 000	Rings 1518	4

K12 Parts list		
Part number	Name	Qty.
40 60552500 088	Fiberglass tube Ø 60 x 1500	3
10 65602500 089	Slot tube Ø 65 x 150	3
90 507012W4 000	Stainless steel clamps 50-70	6
24 1518RING 000	Rings 1518	8
69 4TRECCIA 000	Rope, to be cut:	
	- 4 pcs. 14 m each	
	- 4 pcs. 15 m each	
	- 4 pcs. 18 m each	
	Total	m. 188