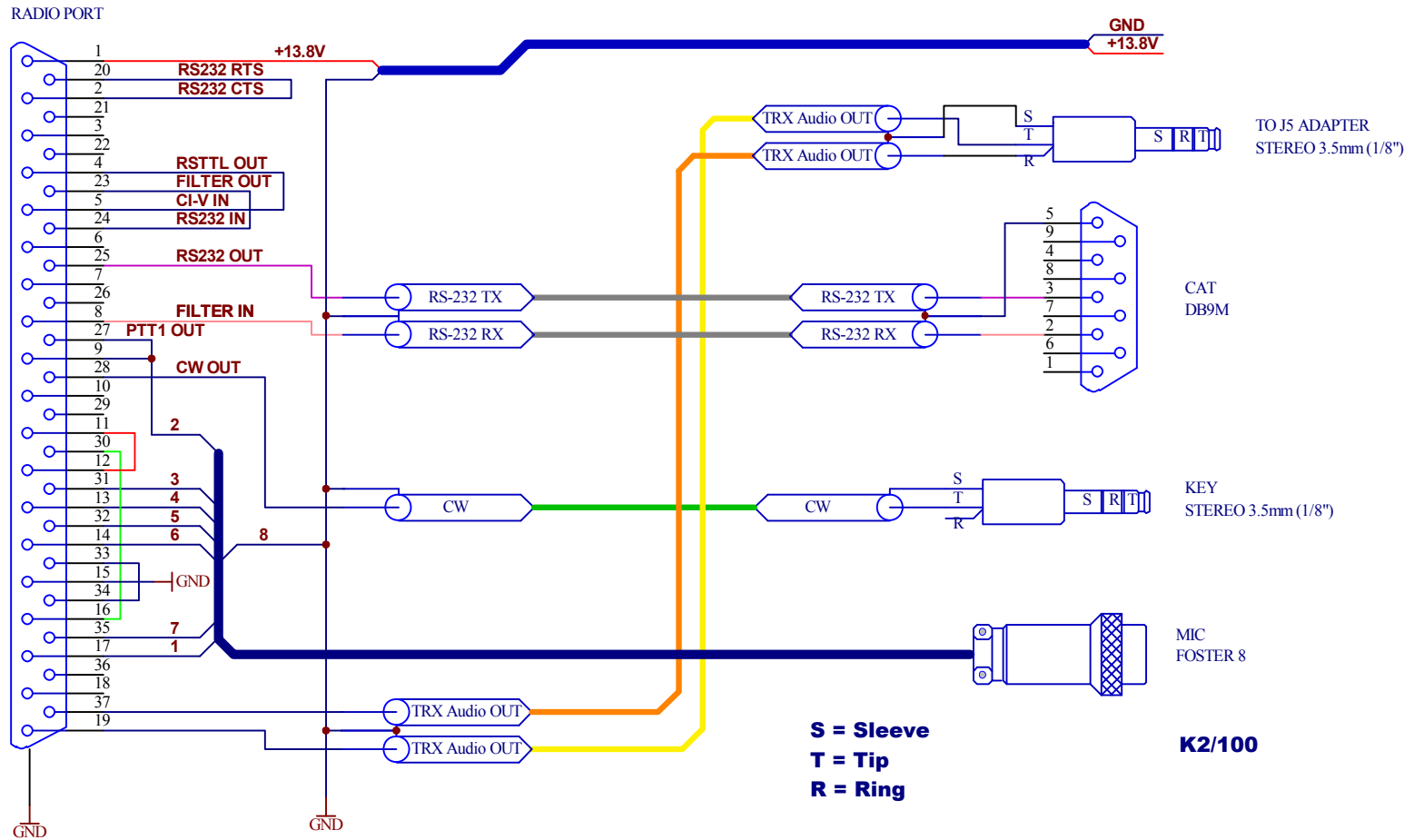
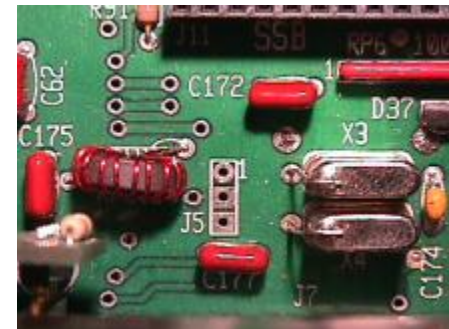


# DB37-EL-K2 Cable



**!!! Microphone board MUST be jumpered for MH2, MD2 or Proset-K2 !!!**  
**!!! Only these microphones can be used with DB37-EL-K2 cable set !!!**

**J5 location on K2 PCB board**



**Additional, fixed level audio output cable adapter from K2 - J5**

