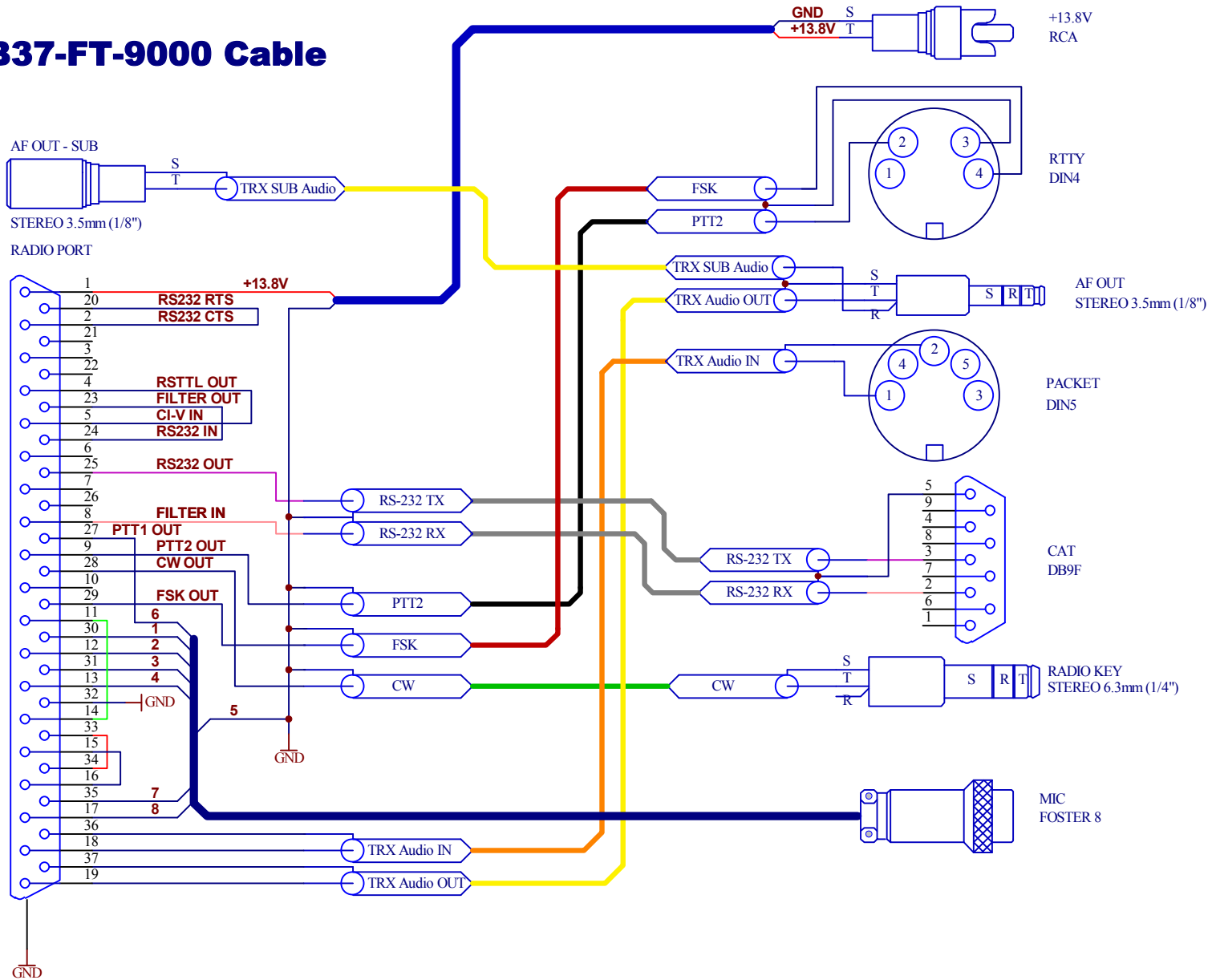


# DB37-FT-9000 Cable



**FTDX-9000D, FTDX-9000MP, FTDX-9000Contest**

**Notes:**

**PTT1 is used for CW/SSB, PTT2 for digital modes**

**S = Sleeve  
T = Tip  
R = Ring**