



# Cross Polarised Omnidirectional LTE Antenna

790 – 960, 1710 – 2170, 2300-2400 and 2500 – 2700 MHz Bands

Product code: XPOL-A0001



The antenna provides an innovative and future proof solution for 4G / 3G and 2G networks. It is a unique window, wall or pole mountable, dual polarised, full LTE band omnidirectional antenna. Incorporating two separately fed ultra wideband elements in a single housing, the antenna is equipped to provide client side MiMo and diversity support for the networks of today and tomorrow. Gain is min. 2 dBi across all bands: 790 – 960, 1710 – 2170, 2300-2400 and 2500 – 2700 MHz Bands.

The weatherproof housing is designed for window, mast and wall mounting. The antenna has 2 x 5 metres of low loss cable.

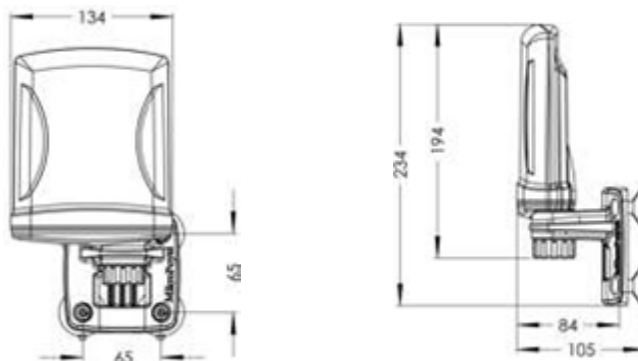
This is a cost effective value added product for signal enhancement and ensures higher throughputs and stable links for subscribers. This will improve subscribers' user experience and improve client retention. It is ideal for any applications using the GSM network (LTE/HSPA/3G/EDGE/GPRS).

## Features:

- Window, wall or pole mount
- Lightweight
- Waterproof

## Application areas:

- Cellular modems
- Least Cost Routers
- GSM customer premises equipment





Specifications:

---

**Product Code:**

XPOL-A0001

EAN 6009693810754

**Electrical:**

Gain (Max)	2.5 dBi
Gain (Nominal)	2.0 dBi
Input Frequency	790 – 960, 1710 – 2170, 2300 – 2400 and 2500 – 2700 MHz Bands
VSWR across operating bands	< 2.5:1
Feed power handling	4 W
Input impedance	50 Ohm (nominal)
Polarisation	2 x Linear (Vertical and Horizontal)
Cable	2 x 5m HDF 195
Connector	2 x SMA male
Cable loss	Isolation (Nominal, see graph) 15 dB

**Mechanical:**

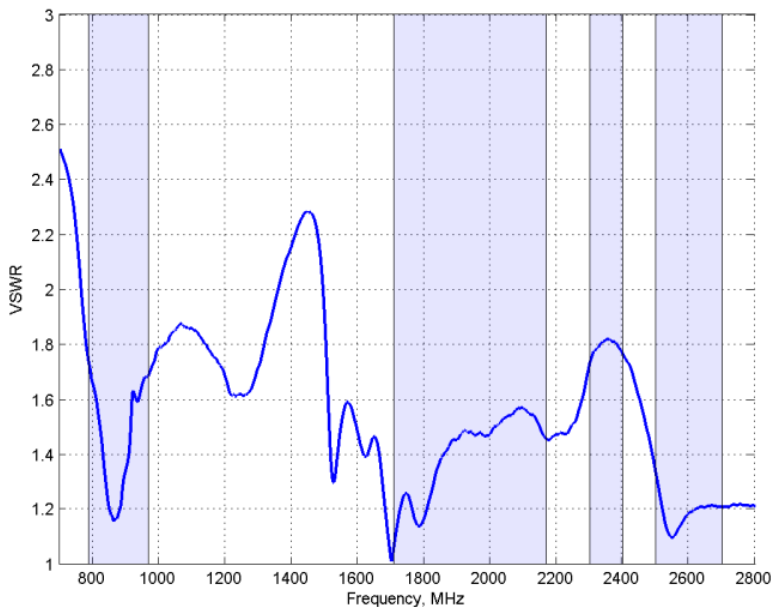
Mounting	Window, wall or pole
Dimensions (l x w x h)	234 x 134 x 84 mm
Radome Colour	RAL9001 Cream/grey
Flammability Rating	UL 94-V0
RoHS	Compliant

**Environmental:**

Operating temperature	-20 to +70°C
Environmental Conditions	Outdoor/Indoor

VSWR

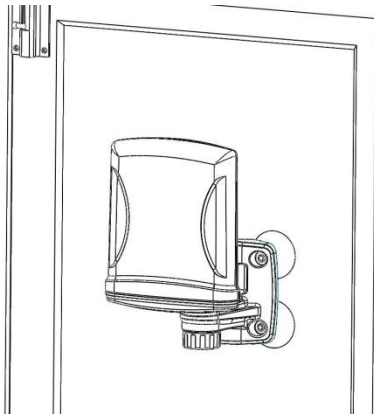
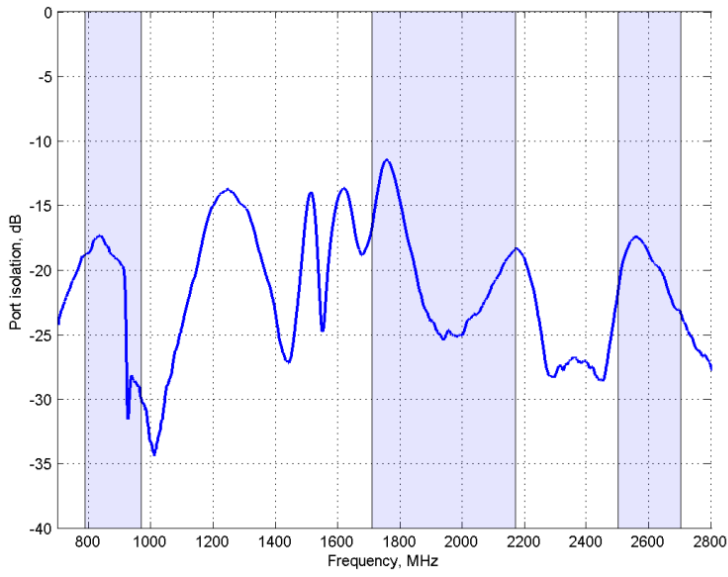
---



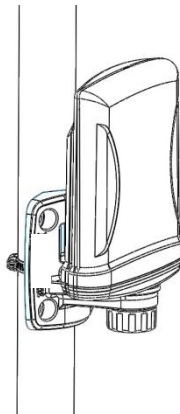
VSWR



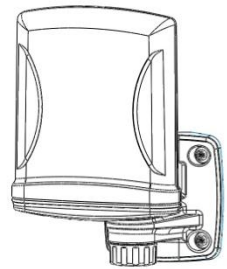
### Isolation Plot



Window mount



Pole mount



Wall Mount