



Duobandantenne 2,4 / 5 GHz

2.4 / 5 GHz dualband Swivel Antenna
Best.Nr. 17400



Duobandantenne mit Kippgelenk 0-90°, schwarz.
Gewinn 3 dBi bei 2,4 GHz, 5 dBi bei 5 GHz.

Dualband antenna with swivel mount 0...90°,
black. Gain 3 dBi @ 2.4 GHz, 5 dBi @ 5 GHz.

Specifications:

ANTENNA TYPE :	SWIVEL ANTENNA
MODEL NO.:	RAL-J01
FREQUENCY RANGE:	2.4~2.5 / 5.2-5.9 GHz
V.S.W.R:	<2.0
IMPEDANCE :	50Ω ± 5Ω
GAIN:	2.4GHz: 3dBi, 5 GHz: 5dBi
POWER RATING:	Max 2 W
RADIATION:	Omni
POLARIZATION:	LINEAR ,VERTICAL
WEIGHT:	18g ± 2g
CONNECTOR:	SMA Reverse male
ELECTRICAL LENGTH	1/2 λ
DIMENSIONS:	220 * 26 * 13 mm



3D Simulation



WiMo Antennen und Elektronik GmbH

Am Gäxwald 14, D-76863 Herxheim Tel. (07276) 9668-0 FAX 9668-11

<http://www.wimo.com>

e-mail: info@wimo.com



Duobandantenne 2,4 / 5 GHz

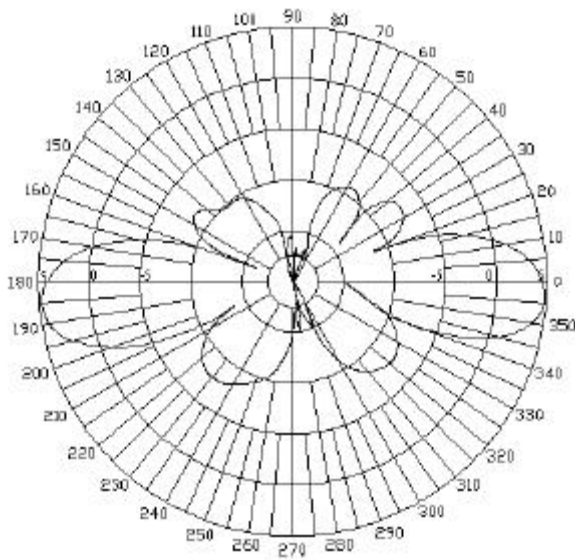
2.4 / 5 GHz dualband Swivel Antenna

Best.Nr. 17400

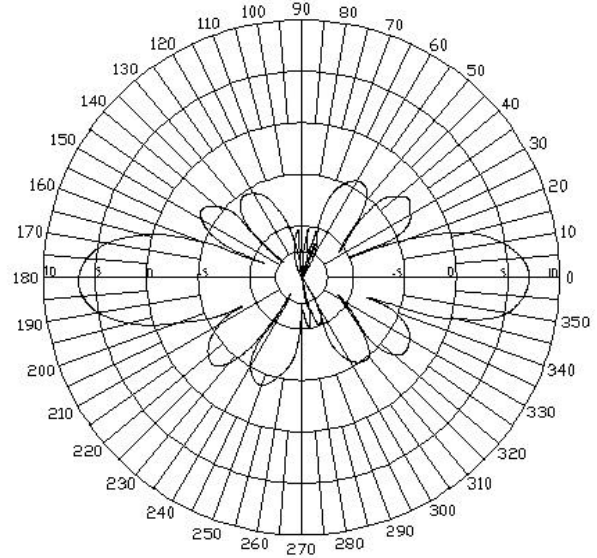


Pattern

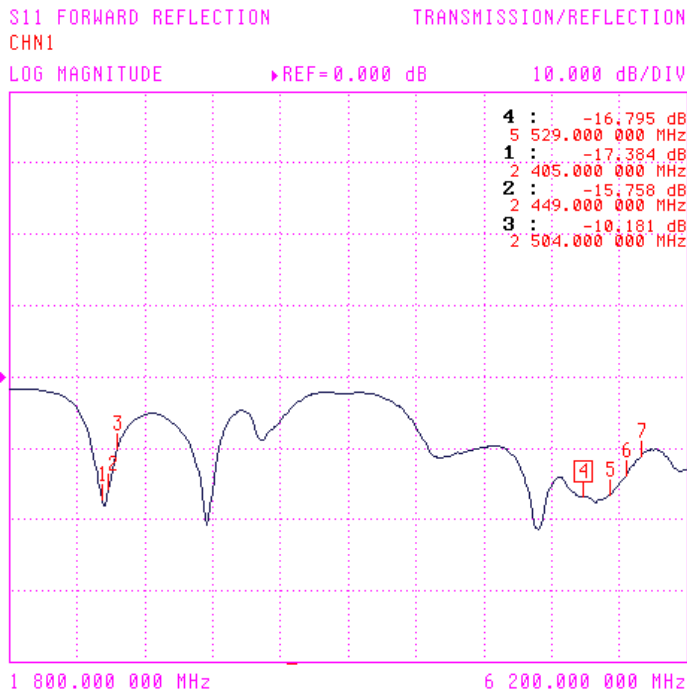
2,4 GHz



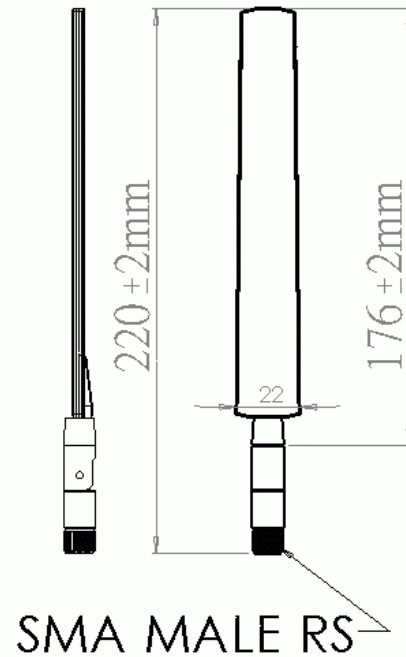
5 GHz



Return Loss



Dimension



WiMo Antennen und Elektronik GmbH

Am Gäxwald 14, D-76863 Herxheim Tel. (07276) 9668-0 FAX 9668-11

<http://www.wimo.com>

e-mail: info@wimo.com